



# led design innovation

[www.led-design-innovation.com](http://www.led-design-innovation.com)

*email : [patrick.faggian11@gmail.com](mailto:patrick.faggian11@gmail.com)*



## PRODUCT ATALOGUE

LED Commercial Lighting Solution Provider by Quality  
(12 Years+)

2 0 2 2

## ► Company Information /

- ◆ We provide OEM/ODM Service.
- ◆ We have enough experience in providing LED lighting solution more than 10 years.
- ◆ We have 5000m<sup>2</sup> workshop and normative quality control system.
- ◆ Our product capacity is more than 50000 pcs per month, We delivery fast and accept small orders.



# CONTENT

P  
03



LED Tubular Light-K80 series

P  
21



LED Tri-Proof Light-U series

P  
41



COB Led Strip Light series

P  
11



LED Tubular Light-K70 series

P  
25



LED Modular Panel Light-PN series

P  
45



LED Neon Light series

P  
07



LED Tubular Light-K45 series

P  
31



LED Modular Panel Light-PG series

P  
48



UFO High Bay Light-Windy series

P  
15



LED Tubular Light-K3 series

P  
35



LED Panel Light-PM series

P  
53



UFO High Bay Light-NE series

P  
18

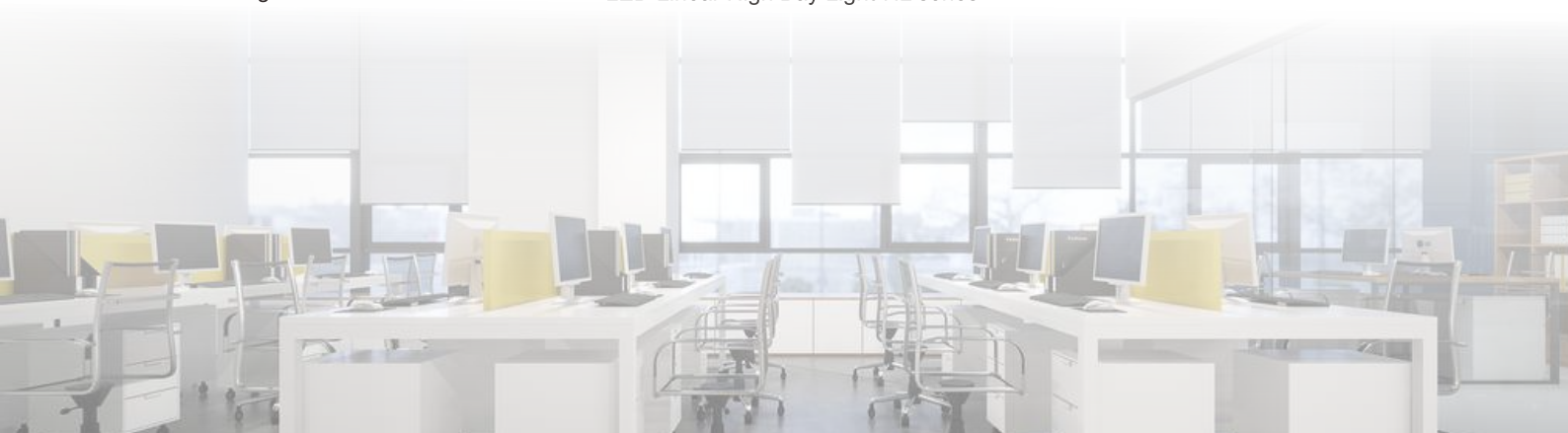


LED Batten Light-V series

P  
38



LED Linear High Bay Light-HL series





# LED Tubular Light

- ◎ K80 Series
- ◎ K70 Series
- ◎ K45 Series
- ◎ K3 Series







# LED Tubular Light -K80 Series



## Features

Diameter: 80mm

- ◆ Using in environment contains fumes, gas or solvents.
- ◆ PMMA / PC housing for option
- ◆ 304L / 316L stainless steel end cap for option
- ◆ IP69K, IP67 dustproof waterproof
- ◆ IK10 (PC housing) & IK06 (PMMA housing), Impact resistance
- ◆ 110-130lm/w (Opal)
- ◆ 130-150lm/w (Clear)
- ◆ Dimmable( 0-10V / DALI )
- ◆ Non-Linkable/Linkable

## Application

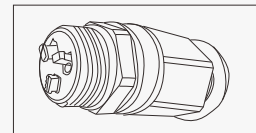
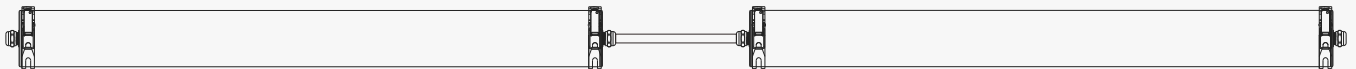
- ◆ Overpass/Highway
- ◆ Car Parking
- ◆ Metro Station
- ◆ Livestock Farm
- ◆ Others Indoor and Outdoor Area



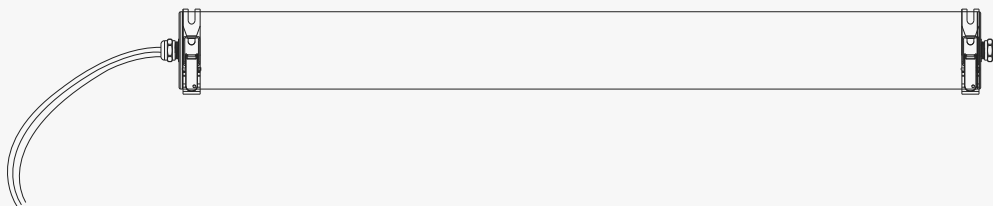
# LED Tubular Light-K80 Series



Linkable



Non-Linkable



# LED Tubular Light-K80 Series

---

■ **Transparent Housing +PC cover**



■ **Transparent Housing +T5 inside**



# LED Tubular Light-K80 Series



Technical Parameters- Dia $\phi$ 80mm				
Model	OL-PL20W-K60-80	OL-PL30W-K90-80	OL-PL40W-K120-80	OL-PL60W-K150-80
Power	20W	30W	40W	60W
Luminous flux	2600-3000lm /Transparent	3900-4500lm /Transparent	5200-6000lm /Transparent	7800-9000lm /Transparent
	2200-2600lm/Frosted	3300-3900lm /Frosted	4400-5200lm/Frosted	6600-7800lm/Frosted
Dimension	L605 $\times$ $\phi$ 80mm	L905 $\times$ $\phi$ 80mm	L1205 $\times$ $\phi$ 80mm	L1505 $\times$ $\phi$ 80mm
Input Voltage	AC220-240V/AC100-277V(for US market)			
Power factor (P.F.)	>0.95			
LED source	Edison SMD 2835, CRI>80Ra, CRI>90Ra for Option			
Lamp body color	Transparent /Frosted (Milky)			
Metal End Cap color	#304L & #316L Original Stainless Steel			
Index of protection	IP69K/IP67/IK10(PC)/IK06(PMMA)			
Beam angle	120°			
Housing material	PC/PMMA			
Working temperature	-20°C~+50°C			
Lifetime	50000 hrs			
Warranty time	3 years / 5years			



# LED Tubular Light -K70 Series



## Features

Diameter: 70mm

- ◆ IP67 IP69K
- ◆ Using in environment contains fumes, gas or solvents.
- ◆ Using in dusty and wet industrial environment and hard conditions
- ◆ PMMA / PC housing for option
- ◆ 304L / 316L stainless steel end cap for option
- ◆ IP69K, IP67 dustproof waterproof
- ◆ IK10 (PC housing) & IK06 (PMMA housing), Impact resistance
- ◆ Gas-Proof, Anti ammonia
- ◆ 110-130lm/w (Opal)
- ◆ 130-150lm/w (Clear)
- ◆ Dimmable( 0-10V / DALI )
- ◆ Non-Linkable/Linkable

## Application

- ◆ Overpass/Highway
- ◆ Car Parking
- ◆ Metro Station
- ◆ Livestock Farm
- ◆ Others Indoor and Outdoor Area

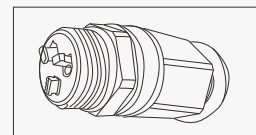


# LED Tubular Light-K70 Series

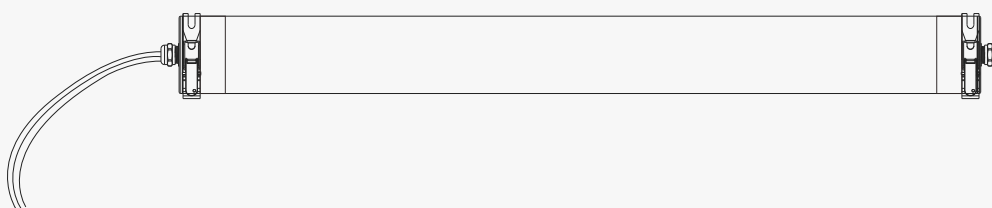
---



Linkable



Non-Linkable



# LED Tubular Light-K70 Series



Technical Parameters- Dia $\phi$ 70mm				
Model	OL-PL20W-K60-70	OL-PL30W-K90-70	OL-PL40W-K120-70	OL-PL60W-K150-70
Power	20W	30W	40W	60W
Luminous flux	2600-3000lm /Transparent	3900-4500lm /Transparent	5200-6000lm /Transparent	7800-9000lm /Transparent
	2200-2600lm/Frosted	3300-3900lm /Frosted	4400-5200lm/Frosted	6600-7800lm/Frosted
Dimension	L605 $\times$ $\phi$ 70mm	L905 $\times$ $\phi$ 70mm	L1205 $\times$ $\phi$ 70mm	L1505 $\times$ $\phi$ 70mm
Input Voltage	AC220-240V/AC100-277V(for US market)			
Power factor (P.F.)	>0.95			
LED source	Edison SMD 2835, CRI>80Ra, CRI>90Ra for Option			
Lamp body color	Transparent /Frosted (Milky)			
Metal End Cap color	#304L & #316L Original Stainless Steel			
Index of protection	IP69K/IP67/IK10(PC)/IK06(PMMA)			
Beam angle	120°			
Housing material	PC/PMMA			
Working temperature	-20°C~+50°C			
Lifetime	50000 hrs			
Warranty time	3 years / 5 years			



# LED Tubular Light-K70 Series

---

## Dimmable for option



■ DALI dimmable / 1-10V dimmable  
Be suitable for K80 K70 full series.

## Sensor



■ Microwave Sensor (for option)  
Be suitable for K80 K70 full series.  
After elapse of hold time, the sensor switches off the light when no motion is detected



- 
- On/OFF Function
  - Hold time: 5S/1min/3min/10min
  - Detection Area: 100%/50% (set via 1 DIP switch)
  - Detecting Radius: 4-6m (mounting height 3m)
  - Mounting Height: 2.5-6m
  - Detecting Angle: 150°
  - Installation: Built-in Tubular light





# LED Tubular Light -K45 Series



## Features

Diameter: 45 mm

- ◆ Using in dusty and wet industrial environment and hard conditions.
- ◆ PC Housing only
- ◆ 304L / 316L Stainless steel End cap for option
- ◆ IP69K, IP67, IK10
- ◆ Dust-proof, Water-proof
- ◆ Non-Linkable/Linkable

## Application

- ◆ Overpass/Highway
- ◆ Car Parking
- ◆ Metro Station
- ◆ Livestock Farm
- ◆ Others Indoor and Outdoor Area



# LED Tubular Light-K45 Series



## Technical Parameters- Dia $\phi$ 45mm

Model	OL-PL15W-K60-45	OL-PL20W-K90-45	OL-PL30W-K120-45	OL-PL40W-K150-45
Power	15W	20W	30W	40W
Luminous flux	1600-2000lm/Frosted	2200-2600lm/Frosted	3300-3900lm/Frosted	4400-5200lm/Frosted
Dimension	L625 $\times$ $\phi$ 45mm	L925 $\times$ $\phi$ 45mm	L1225 $\times$ $\phi$ 45mm	L1525 $\times$ $\phi$ 45mm
Input Voltage	AC220-240V/AC100-277V(for US market)			
Power factor (P.F.)	>0.95			
LED source	Edison SMD 2835, CRI>80Ra, CRI>90Ra for Option			
Lamp body color	Only Frosted(Milky)			
Metal End Cap color	#304L & #316L Original Stainless Steel			
Index of protection	IP67/IK10/IP69K			
Beam angle	120°			
Housing material	PC			
Working temperature	-20°C~+50°C			
Lifetime	50000 hrs			
Warranty time	3 years/5 years			



# LED Tubular Light -K3 Series



## Features

- ◆ UGR<16
- ◆ Beam Angle: 30/60 Degree
- ◆ PC Housing
- ◆ 304L/316L end cap
- ◆ >150LM/W
- ◆ Dimmable/Non-Dimmable
- ◆ Non-Linkable/Linkable
- ◆ IP67,IP69K,IK10

## Application

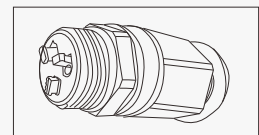
- ◆ Overpass/Highway
- ◆ Car Parking
- ◆ Metro Station
- ◆ Livestock Farm
- ◆ Others Indoor and Outdoor Area

# LED Tubular Light-K3 Series

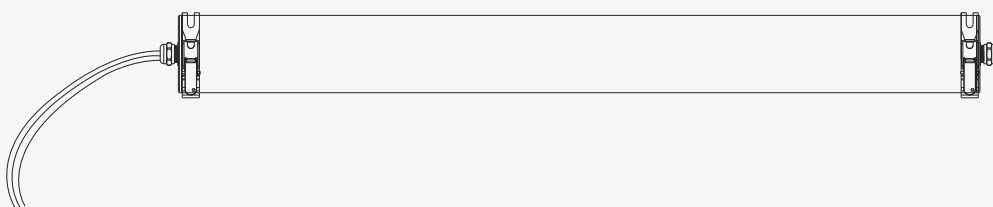
---



Linkable



Non-Linkable



# LED Tubular Light-K3 Series



## Technical Parameters -K3 Series

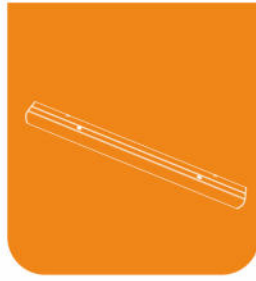
Model No.	OL-PL20W-K60-80-UGR	OL-PL30W-K90-80-UGR	OL-PL40W-K120-80-UGR	OL-PL60W-K150-80-UGR
Power	20W	30W	40W	60W
LED (QTY)	48pcs SMD3030	64pcs SMD3030	88pcs SMD3030	112pcs SMD3030
Dimension	L600* $\phi$ 80mm	L900* $\phi$ 80mm	L1200* $\phi$ 80mm	L1500* $\phi$ 80mm
Input Voltage	AC220-240V/AC100-277V(for US market)			
UGR	UGR<16			
CRI	CRI>80Ra			
Beam Angel	30° / 60°			
Lighting Effect	>150LM/W			
Driver (Brand)	TRIDONIC			
LED source(Brand)	LUMILEDS & EPISTAR SMD LED 3030			
Warranty	5 Years			



# LED Batten Light

◎ V-series





# LED Batten Light -V Series



## Features

- ◆ Good Heat Dissipation of Aluminum Holder(6063 T5)
- ◆ Fireproof rating PC cover (V0)
- ◆ The Bottom Base and Light Source can be Splitted or Replaced. Ik10
- 4 Replace traditional lamp tubes for commercial supermarkets

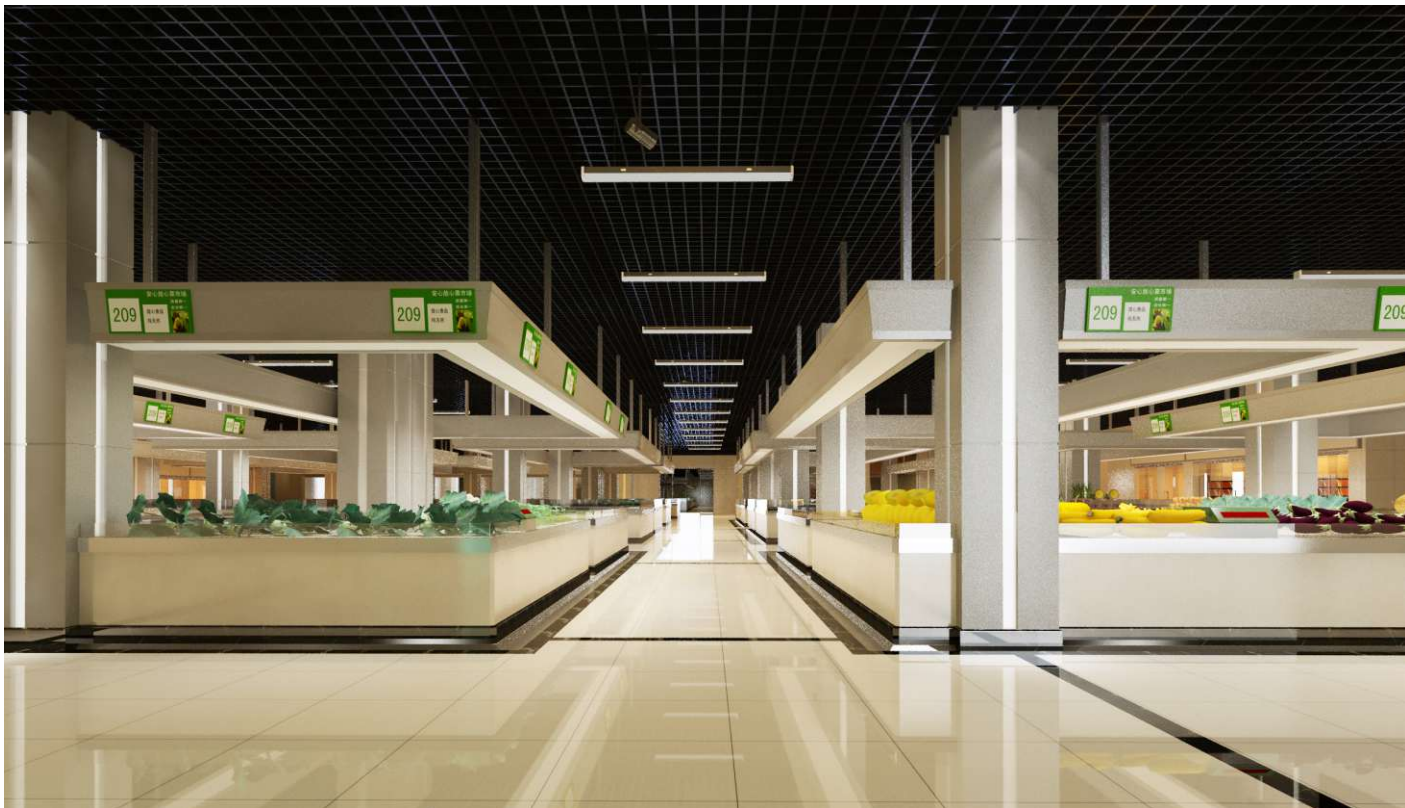
## Application

- ◆ Supermarket
- ◆ Shopping Mall
- ◆ Workshop
- ◆ School Calssroom
- ◆ Other indoor area

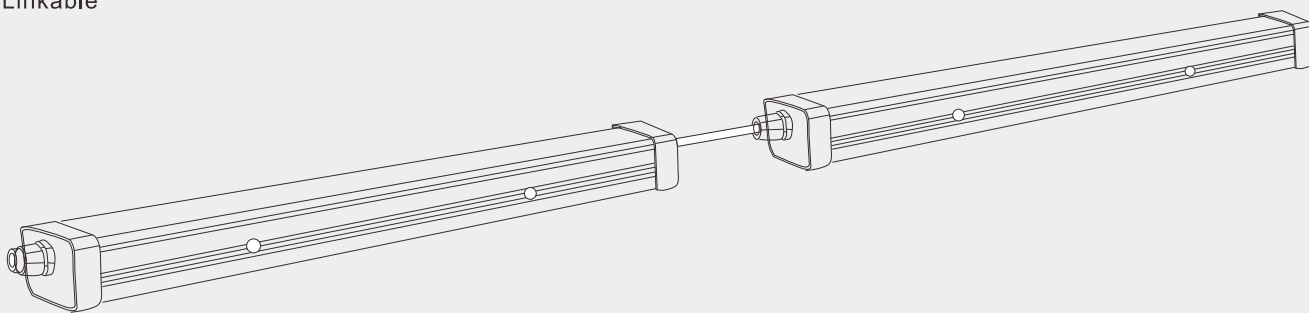




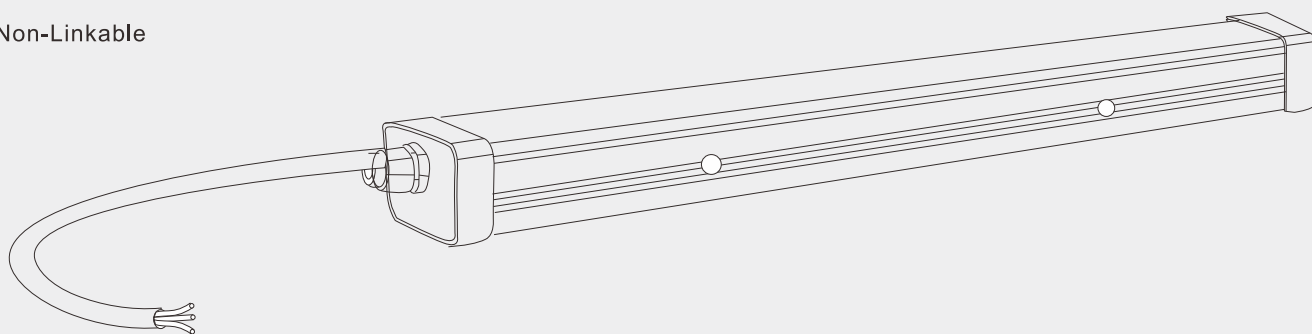
# LED Batten Light-V Series



Linkable



Non-Linkable





# LED Batten Light-V Series



## Exploding Drawing

Technical Parameters-V series			
Model	OL-PL20W-V60	OL-PL40W-V120	OL-PL60W-V150
Power	20W	40W	60W
Luminous flux	2600-2800lm/Transparent	5200-5400lm /Transparent	8000-8200lm /Transparent
	2200-2400lm/Frosted	4500-4700lm/Frosted	6600-7000lm/Frosted
Dimension	600*73.4*69.5mm	1200*73.4*69.5mm	1500*73.4*69.5mm
Input Voltage	AC220-240V/AC100-277V(for US market)		
Power factor ( P.F. )	>0.95		
Luminous Efficiency	>110LM/W (Frosted)		
	>130lm/W (Transparent)		
LED source	Edison SMD 2835, CRI>80Ra		
Lamp body color	White		
Metal Materials	Aluminum T5, PC (V0)		
Beam angle	120°		
Working temperature	-20°C~+50°C		
Lifetime	>50000 hrs		
Warranty time	3 / 5 years		
Certification	CE , RoHS		

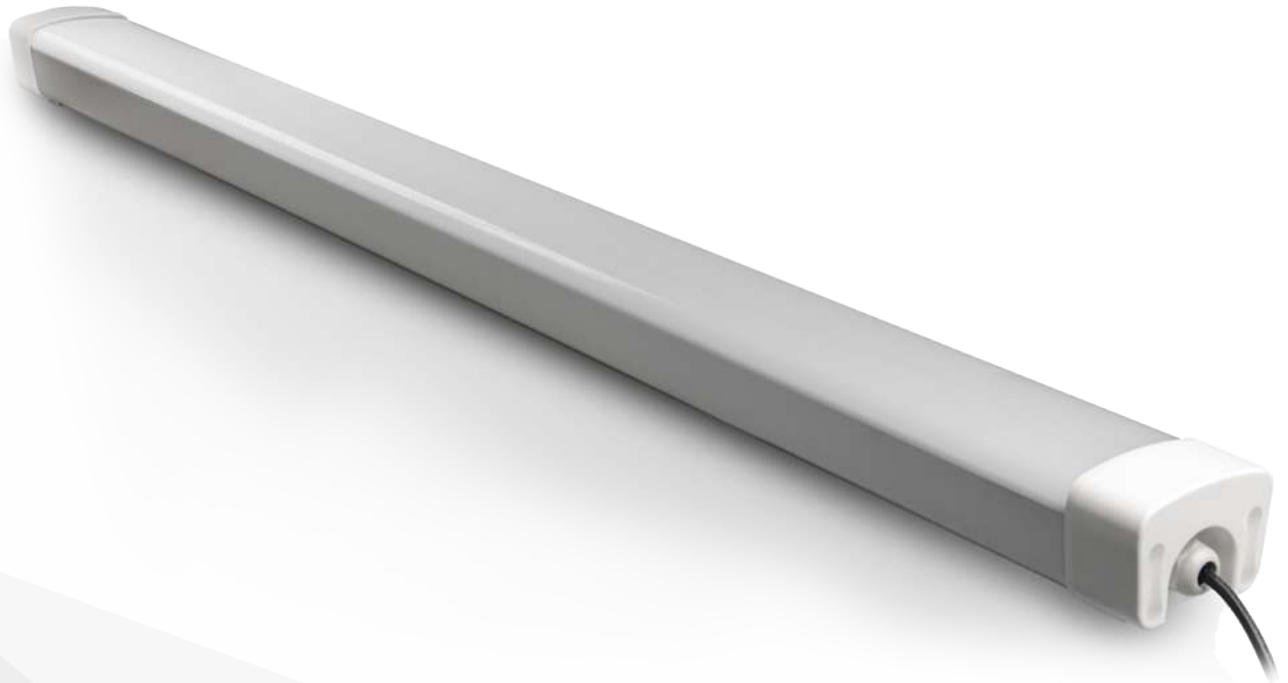


# LED Tri-proof Light





# LED Tri-proof Light -U Series

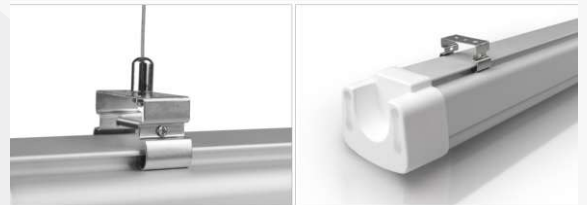


## Features

- ◆ Ip65 Ik10
- ◆ Aluminum Housing and PC Cover
- ◆ Non-dimmable, 1-10V, DALI dimmable driver for option
- ◆ Sensor, Emergency system for option
- ◆ Installation Method: Surface mounting, Suspension
- ◆ 3/5 years warranty

## Application

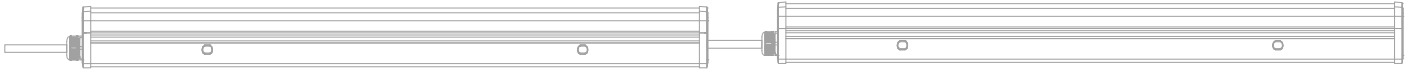
- ◆ Parking lots, Metro station
- ◆ Residential / Institution Buildings.
- ◆ Workshops etc.



# LED Tri-proof Light-U Series

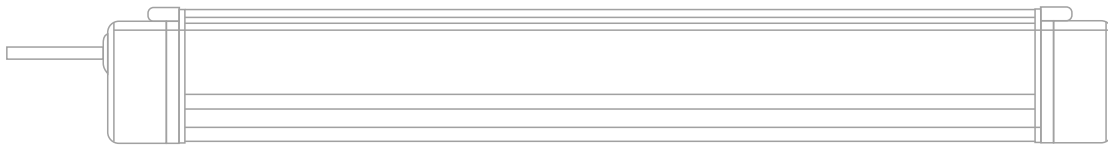
---

## Linkable



## Non-Linkable

---



Technical Parameters -U Series						
Model	OL-PL30W-U60	OL-PL36W-U120	OL-PL40W-U120	OL-PL50W-U120	OL-PL60W-U150	OL-PL80W-U150
Power	30W	36W	40W	50W	60W	80W
Luminous flux	3300-3600lm	4000-4400lm	4400-4800lm	5500-6000lm	6600-7000lm	8800-9200lm
Dimension	600*91*74mm	1200*91*74mm	1200*91*74mm	1200*91*74mm	1500*91*74mm	1500*91*74mm
Input Voltage	AC220-240V/AC100-277V(for US market)					
Power factor (P.F.)	>0.95					
Luminous Efficiency	110-120lm/W					
LED source	Edison SMD 2835, CRI>80Ra					
Lamp body color	Silver /White					
Metal Materials	Aluminum T5, PC (V0)					
Beam angle	120°					
Working temperature	-20°C~+50°C					
Lifetime	>50000 Hrs					
Warranty time	3 / 5 years					
Certification	CE , RoHS					

# LED Tri-proof Light-U Series

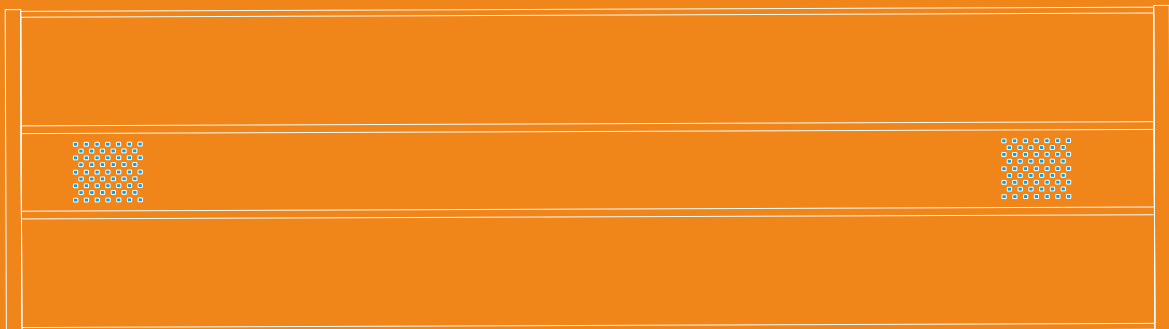
---

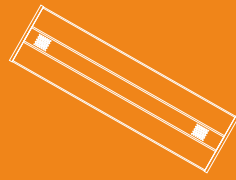




# Led Linear High Bay Light

◎ HL Series





# LED Linear High Bay Light -HL Series



## Features

- ◆ Medium beam fixtures and wide light distribution design.
- ◆ LED linear high slot is an ideal replacement for traditional metal halide and linear fluorescent high bay system.
- ◆ Compared to traditional high bay, it will have wider distribution area, which will increase the brightness of the whole area.
- ◆ Dimmable( 0-10V / DALI )
- ◆ Daylight Sensor, Emergency system for option
- ◆ Housing Color: Black, White, Tungsten steel Grey
- ◆ Particularly using in Warehouse, Workshop, Supermarket

## Ik10 Function Application

- ◆ Good for using in Sport covered area
- ◆ Basketball court, Tennis court, Squash court.
- ◆ Baseball court, Volleyball courts etc.

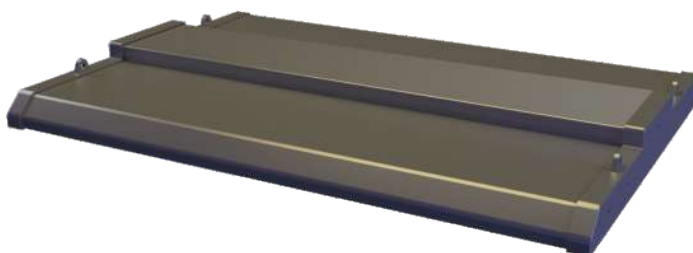
**IK10**

**IP54**



# LED Linear High Bay Light-HL Series

---



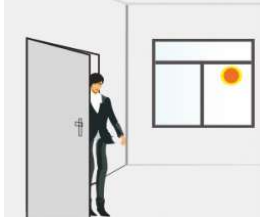
## Housing Color for option

- White ◆
- Black ◆
- Tungsten steel Grey ◆



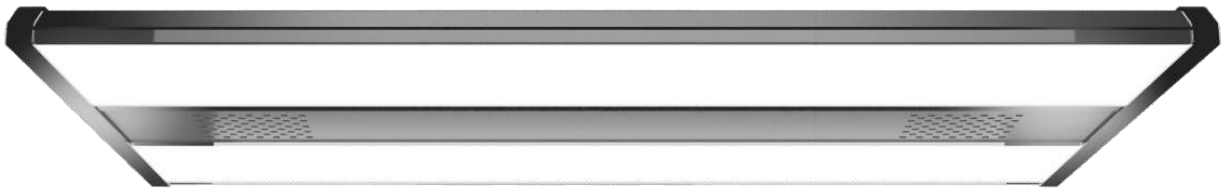
# LED Linear High Bay Light-HL Series

---



## 0-10V +Day light sensor

The brightness will be Automatically adjusted as the day light changing.  
With sufficient ambient light, the sensor does not switch on the lamp.



# LED Linear High Bay Light-HL Series

---



## Application in Warehouse Aisles :

- ◆ High-bay linear light warehouse must maximize storage space , utilization to minimize storage costs .
- ◆ High-bay linear light warehouse , avoid aisles shadow areas , ensure safe driving of trucks .
- ◆ Clear visibility of various shelves , goods , labels .
- ◆ Good glare-free visibility
- ◆ Intelligent light management with motion sensors

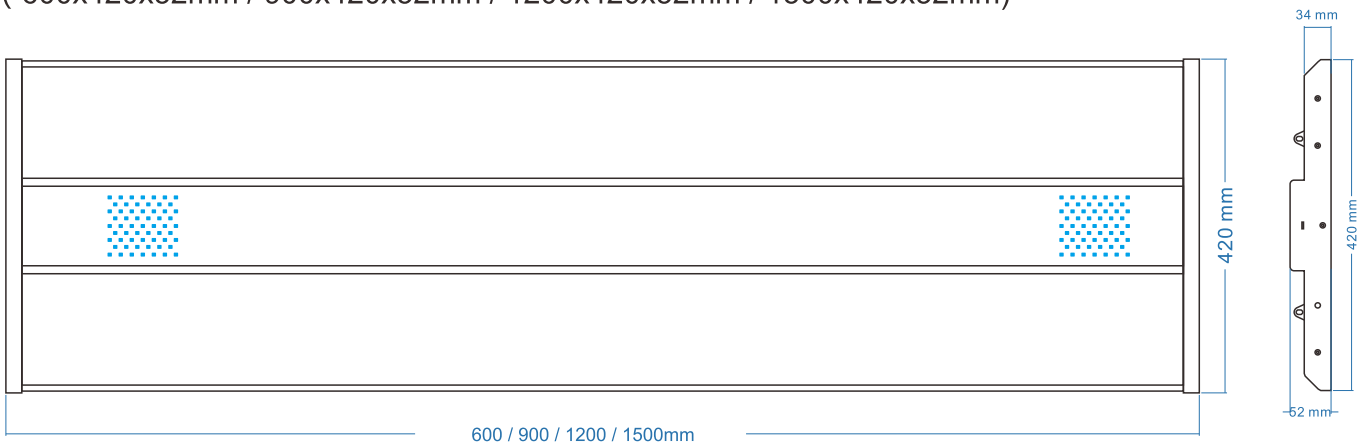


# LED Linear High Bay Light-HL Series



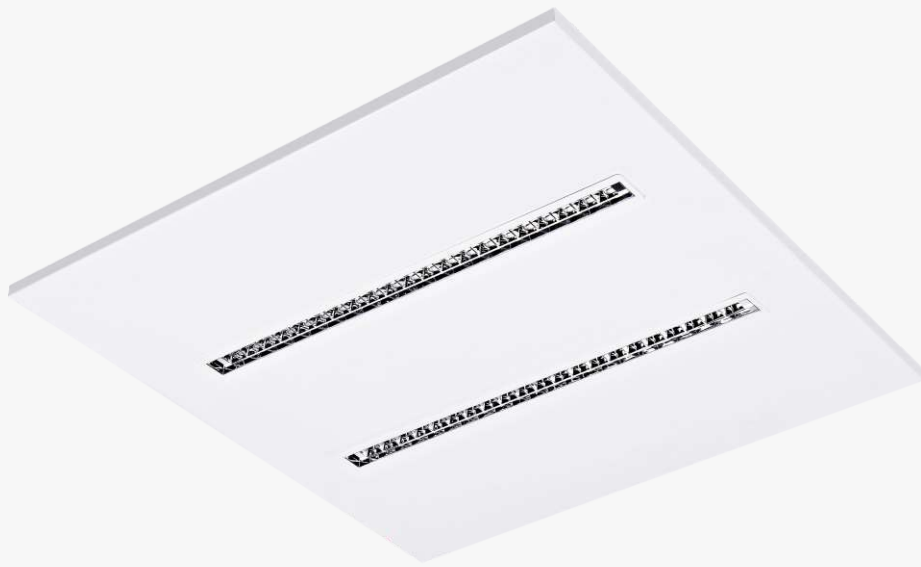
## Dimension

( 600x420x52mm / 900x420x52mm / 1200x420x52mm / 1500x420x52mm)



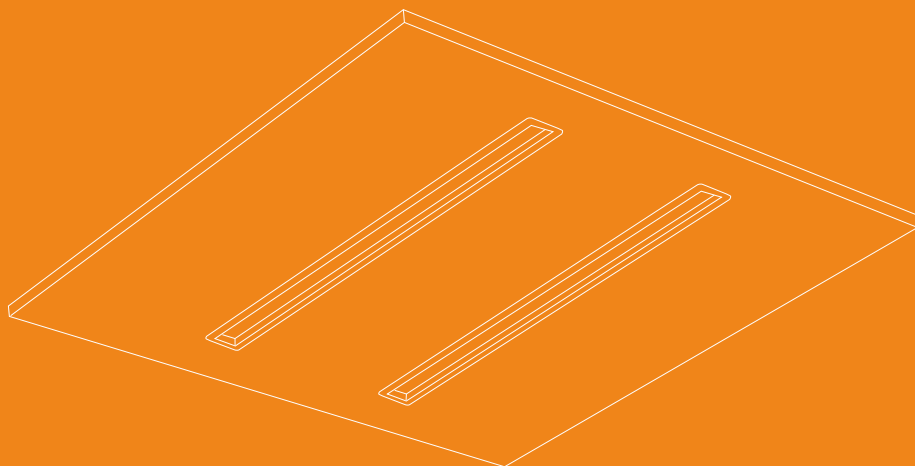
Technical Parameters-HL series							
Model No.:	Dimensions	LED QTY(pcs)	Input Voltage	Beam angle	Power(W)	Luminous flux(lm)	LED source brand
OL-HL150W-600	600*420*52mm	576pcs	AC100-277V AC200-240V	120°	150W	19000-23000lm	Samsung Edison Epistar
OL-HL200W-600	600*420*52mm	754pcs			200W	26000-30000lm	
OL-HL200W-900	900*420*52mm	832pcs			200W	26000-30000lm	
OL-HL300W-1200	1200*420*52mm	1152pcs			300W	39000-45000lm	
OL-HL400W-1200	1200*420*52mm	1508pcs			400W	52000-60000lm	
OL-HL400W-1500	1500*420*52mm	1586pcs			400W	52000-60000lm	





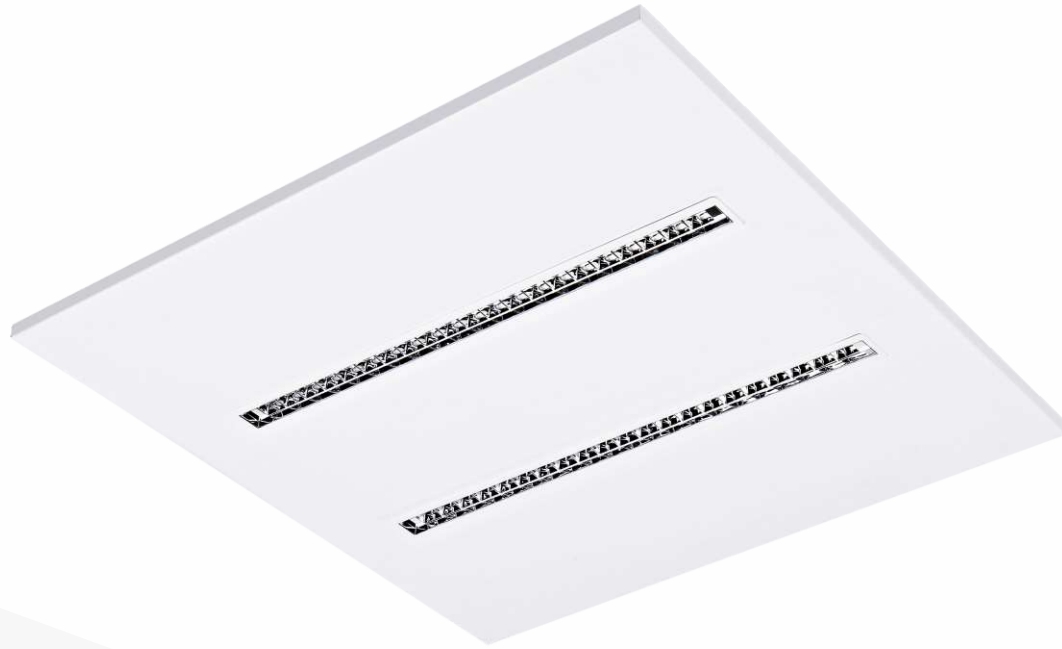
# LED Modular Panel Light

◎ PN Series    ◎ PG Series





# LED Modular Panel Light -PN Series



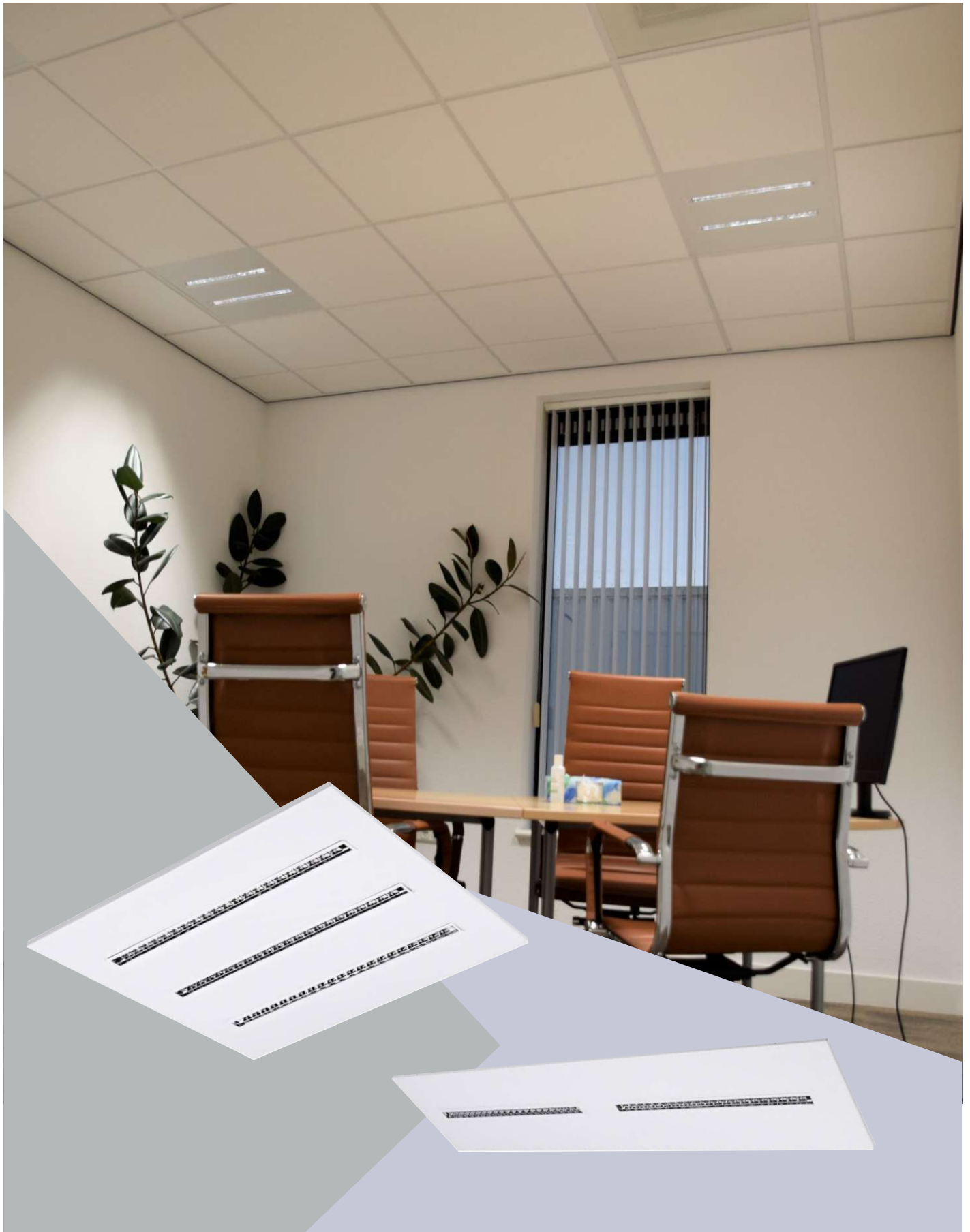
## Features

- ◆ Secondary optical design for protect eyes
- ◆ Led modules easy replace for environmental protection
- ◆ High luminous efficiency for energy saving
- ◆ Modules are recyclable
- ◆ Optional: Adjust Color Temperature
- ◆ Function: Dimmable ( 0-10V / DALI ) , Emergency battery



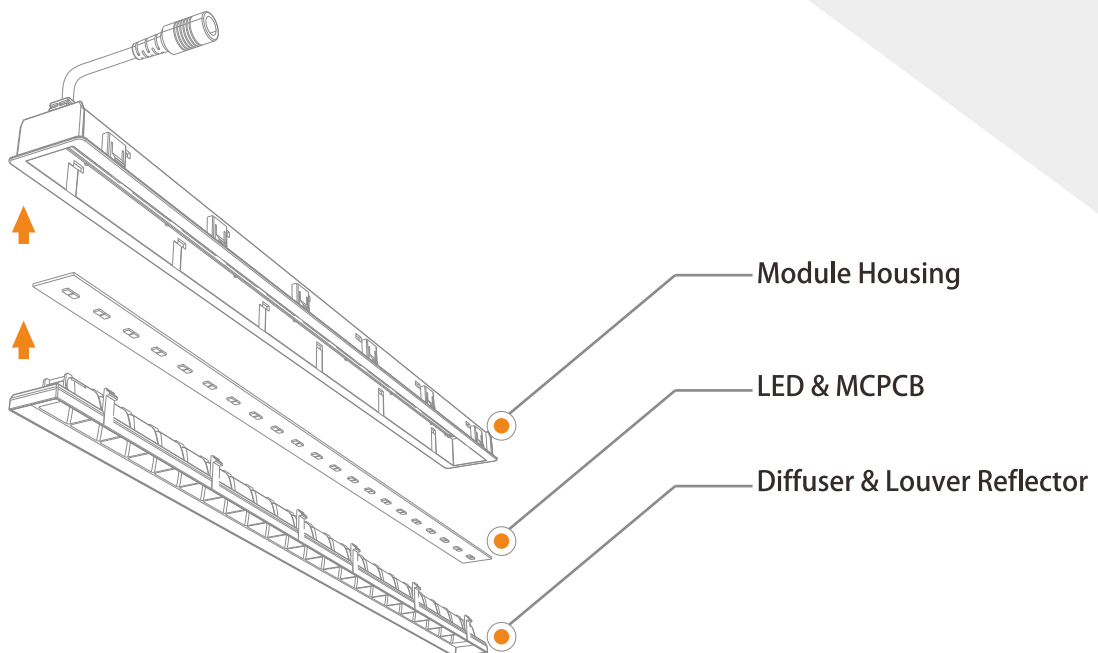
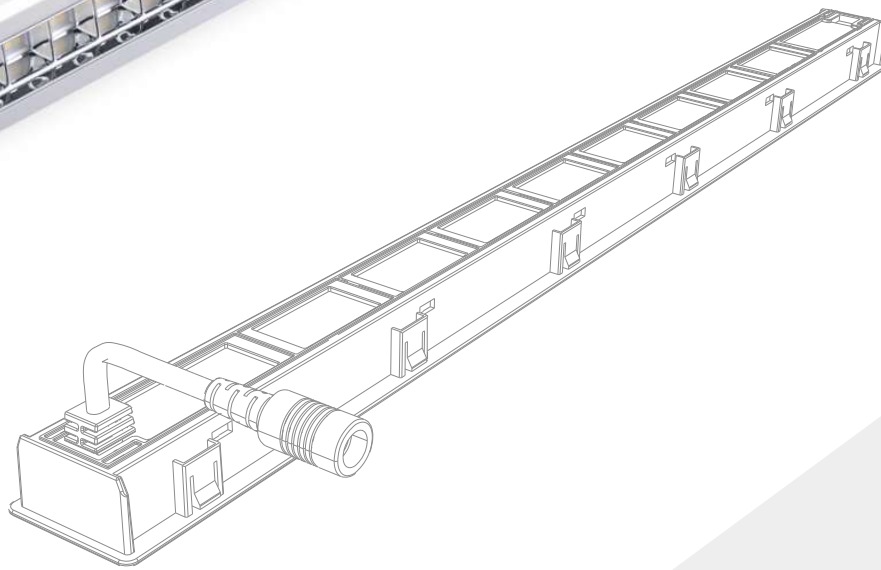
# LED Modular Panel Light-PN Series

---



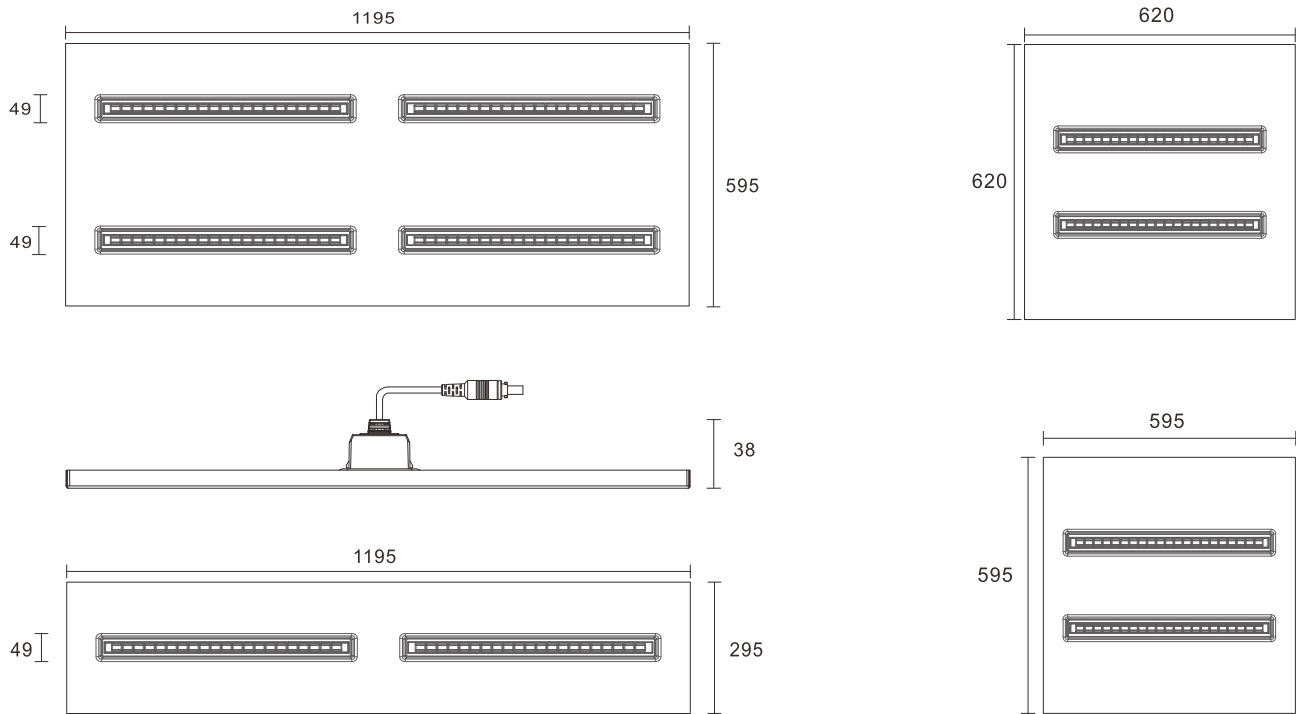
# LED Modular Panel Light-PN Series

---



# LED Modular Panel Light-PN Series

## Dimension



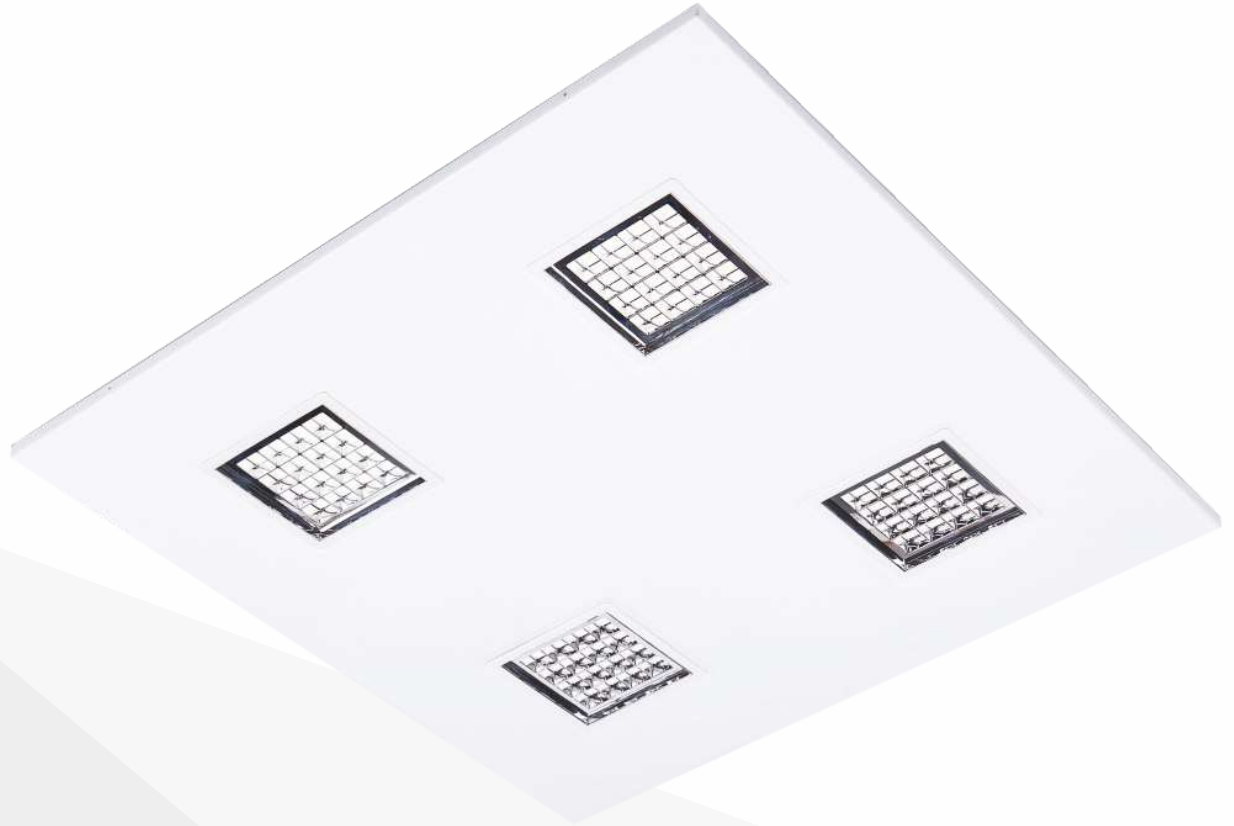
### Technical Parameters-PN series

Model name	Dimensions	LED qty(pcs)	Input Voltage	Beam angle	Power(W)	Luminous flux(lm)	LED source brand	Supplier driver brand
OL-PN30W-6060	595*595*38mm	168pcs 0.5W	AC220-240V	85*70°	30W	3900-4200lm	Samsung Edison Epistar	Tridonic Philips Lifud
OL-PN40W-6060	595*595*38mm	252pcs 0.5W			40W	5200-5600lm		
OL-PN30W-6262	620*620*38mm	168pcs 0.5W			30W	3900-4200lm		
OL-PN40W-6262	620*620*38mm	252pcs 0.5W			40W	5200-5600lm		
OL-PN30W-30120	295*1195*38mm	168pcs 0.5W			30W	3900-4200lm		
OL-PN30W-15120	145*1195*38mm	168pcs 0.5W			30W	3900-4200lm		
OL-PN60W-60120	595*1195*38mm	336pcs 0.5W			60W	7800-8200lm		





# LED Modular Panel Light -PG Series

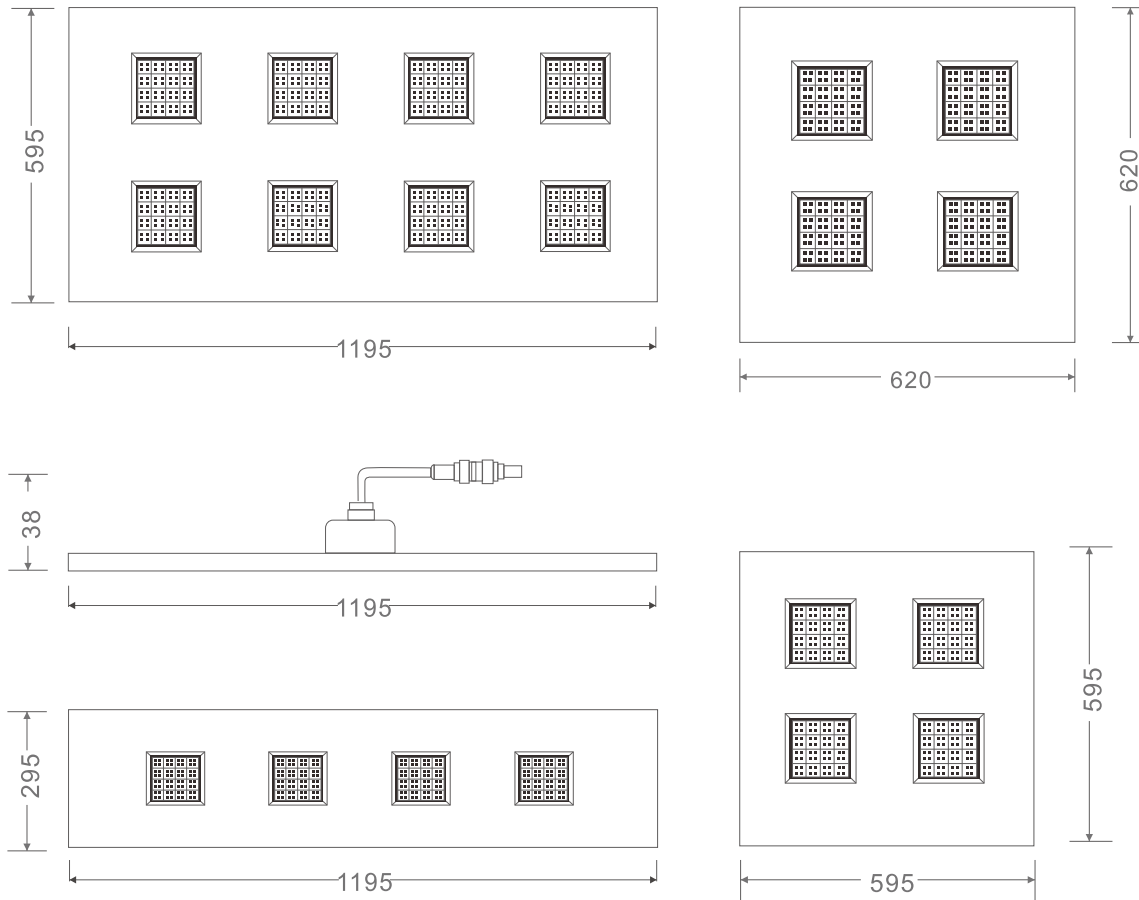


## Features

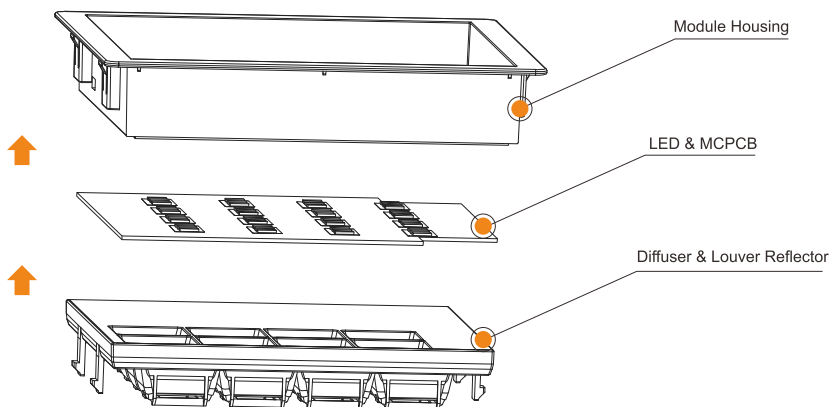
- ◆ Secondary optical design for protect eyes
- ◆ Led modules easy replace for environmental protection
- ◆ High luminous efficiency for energy saving
- ◆ Modules are recyclable
- ◆ Optional: Adjust Color Temperature
- ◆ Function: Dimmable ( 0-10V / DALI ) , Emergency battery

# LED Modular Panel Light-PG Series

## Dimension



## Installation & Dimension



# LED Modular Panel Light-PG Series

## Modular Panel Light



### Technical Parameters-PG series

Model name	Dimensions	LED qty(pcs)	Input Voltage	Beam angle	Power(W)	Luminous flux(lm)	LED source brand	Supplier driver brand
OL-PG40W-6060	595*595*38mm	384pcs 0.2W	AC220-240V	85*85°	40W	6000-6500lm	Samsung Edison Epistar	Tridonic Philips Lifud
OL-PG40W-6262	620*620*38mm	384pcs 0.2W	AC220-240V		40W	6000-6500lm		
OL-PG40W-30120	295*1195*38mm	384pcs 0.2W	AC220-240V		40W	6000-6500lm		
OL-PG40W-15120	145*1195*38mm	384pcs 0.2W	AC220-240V		40W	6000-6200lm		
OL-PG80W-60120	595*1195*38mm	768pcs 0.2W	AC220-240V		80W	12000-13000lm		

# LED Modular Panel Light-PG Series

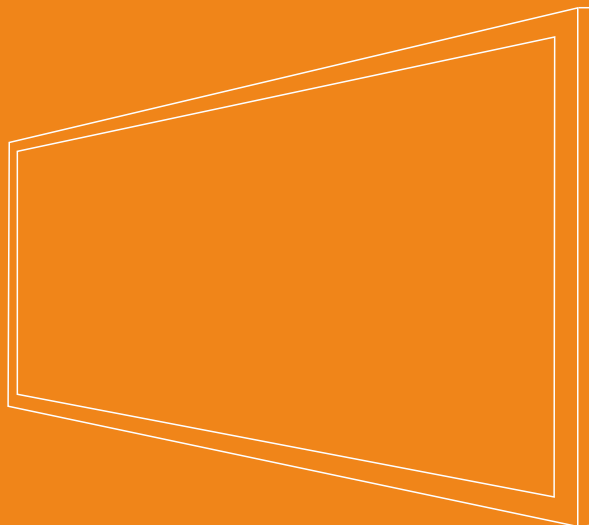
---

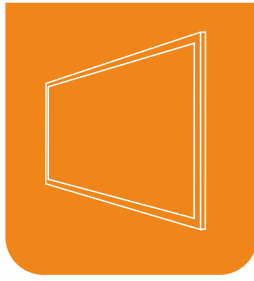




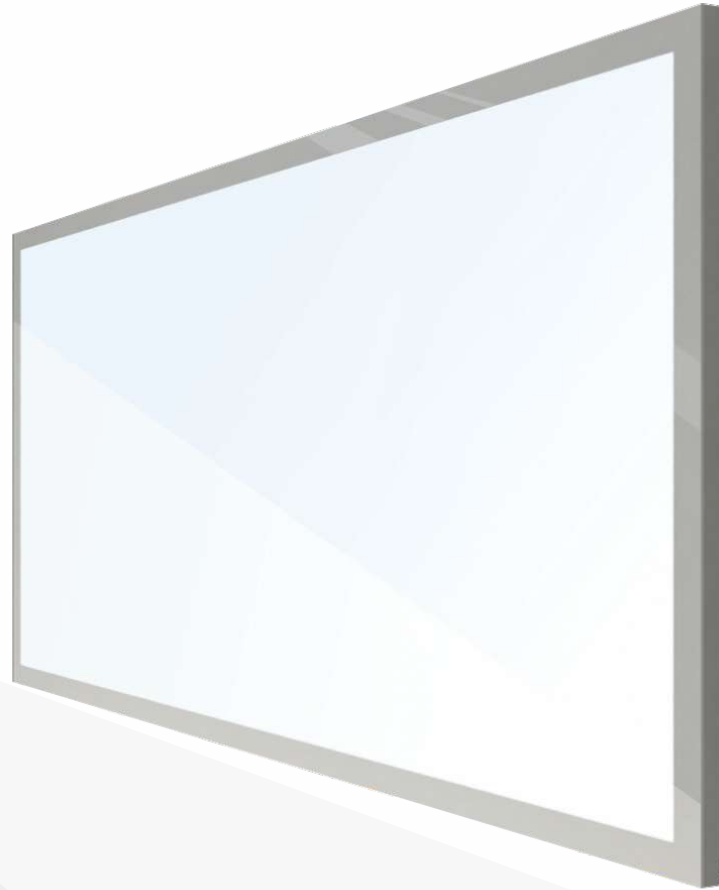
# LED Panel Light

© PM Series



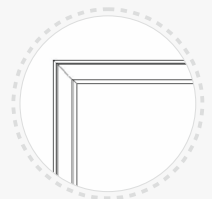


# LED Panel Light -PM Series



## Features

- ◆ 9mm/11mm 6063 Aluminum frame
- ◆ CRI>90Ra, CRI>80Ra for option
- ◆ PMMA LGP, never become yellow
- ◆ UGR<19, UGR<23 for option
- ◆ >100lm/W
- ◆ 5Years Warranty



# LED Panel Light-PM Series

---



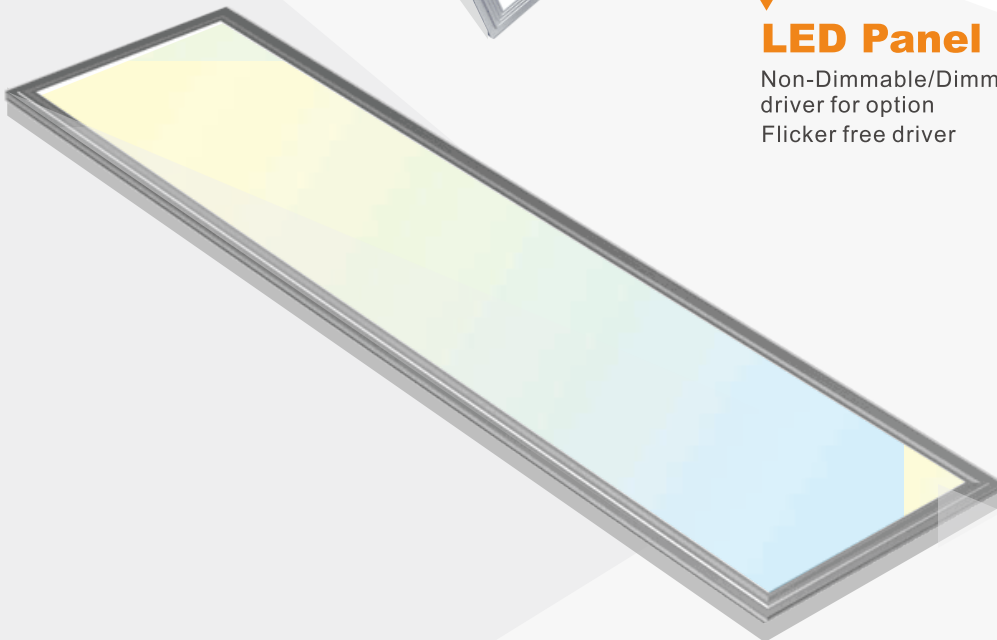
## LED Panel light

Different Size:  
600\*600 300\*1200  
620\*620 600\*1200



## LED Panel light

Non-Dimmable/Dimmable  
driver for option  
Flicker free driver

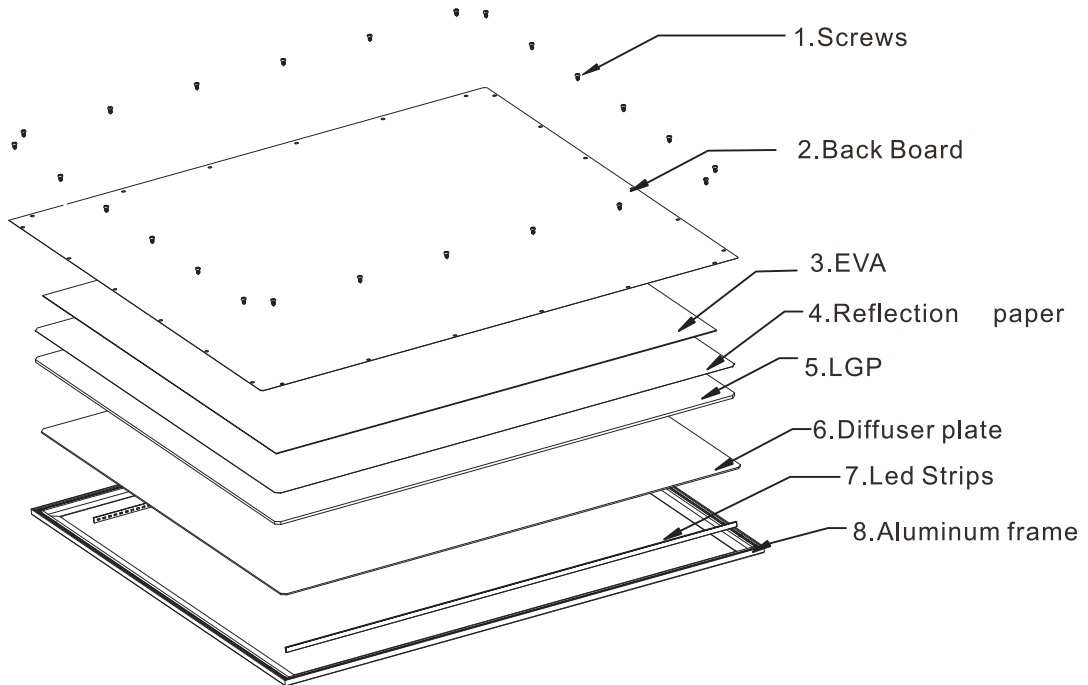




# LED Panel Light-PM Series

## LED Panel light

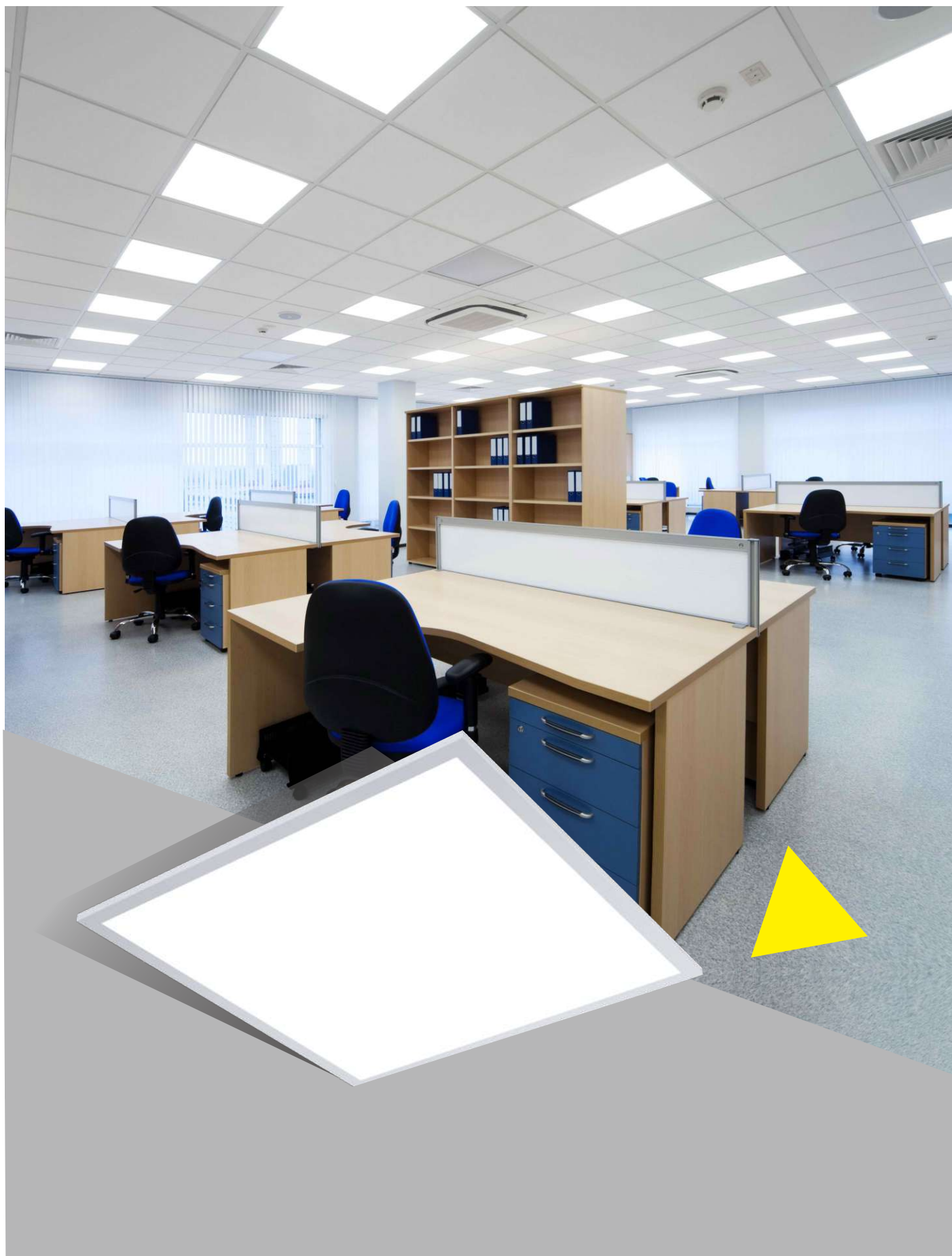
Product Explosive Diagram

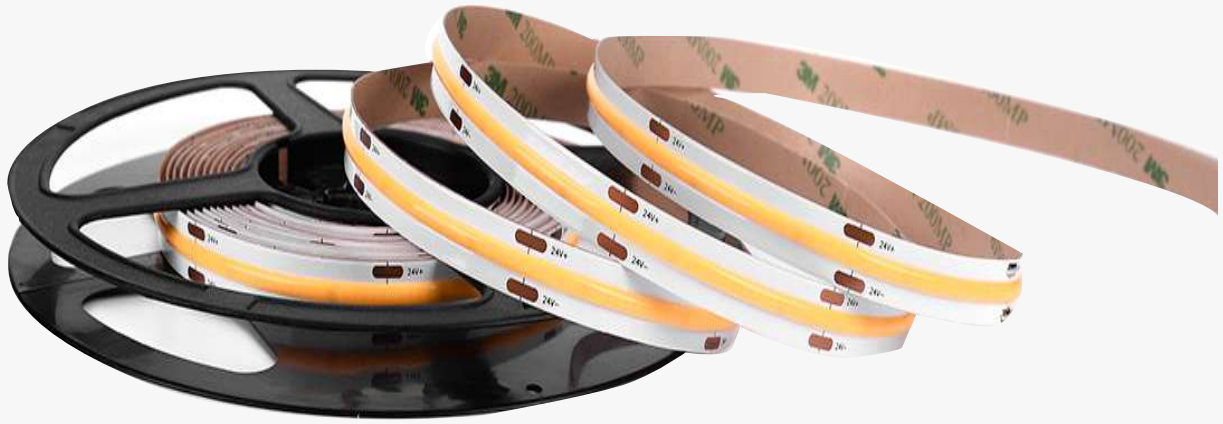


LED Panel Light - PM series									
Dimension	Power for option	Luminous flux for option	UGR for option	CCT	Driver Brand for option	Function	Input voltage	AL Frame Color	LGP
600*600 (595*595mm)	30W, 40W, 48W, 60W	>100lm/W >120lm/W	UGR<19 UGR<23	3000 K	Tridonic Meanwell Philips Lifud Boke	Non-dimmable, 1-10V, DALI, Push	AC220-240V	White Silver	PMMA: 3mm, PS+PMMA: 3mm
300*1200 (295*1195mm)	30W, 40W, 48W, 60W	>100lm/W >120lm/W	UGR<19 UGR<23	4000K					
620*620 (620*620mm)	30W, 40W, 48W, 60W	>100lm/W >120lm/W	UGR<19 UGR<23	5000K					
600*1200 (595*1195mm)	60W,70W	>100lm/W >120lm/W	UGR<19 UGR<23	6000K					

# LED Panel Light-PM Series

---





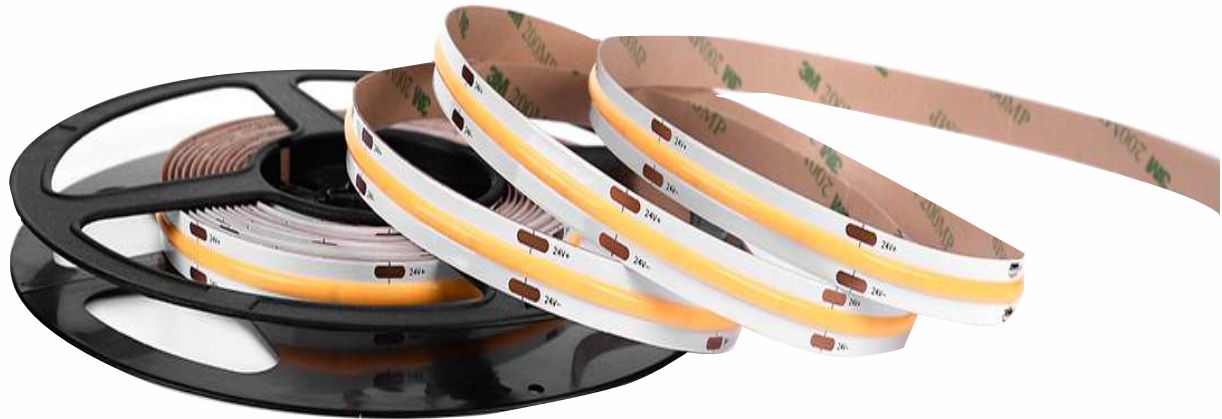
# COB LED Strip Light





# COB LED Strip Light

## Single CCT Series



## Features

- ◆ 1. COB LED Source Design, uniform and soft light.
- ◆ 2. IP20, IP66, IP67, used indoor and outdoor.
- ◆ 3. High CRI design, CRI80 CRI90 CRI95 for option.
- ◆ 4. Thickness PCB design, over 2OZ PCB board, good heat dissipation.
- ◆ 5. Length cut-table, easy to meet different installation request.
- ◆ 6. High Brightness, Up to 100lm/W.
- ◆ 7. 2700-3000K, 3000-3500K, 4000-4500K, 5000-5500K, 6000-6500K.
- ◆ 8. 320leds/M, 384leds/M, 480leds/M, 528leds/M.
- ◆ 9. DC12V DC24V input voltage available.

# COB LED Strip Light-Single CCT Series

**Ip20 Non water-proof, IP67 Water-porooft.**



Ip20 Non-Waterproof



Ip67 Waterproof  
Hollow Glue Extrusion



Ip67 Waterproof  
Double Color Neon Tube

## Connectors



Technical Parameters-Single CCT Series				
Model No.	OL-COB01G	OL-COB02G	OL-COB03G	OL-COB04G
LED per Meter	320	384	480	528
Power per Meter	8W	10W	11W	14W
FPCB Size	8mm	5/8mm	8mm	10mm
Luminous flux	100lm/W			
Input Voltage	DC12V, DC24V			
LED Source	COB LED Chips			
CRI Index	80 90 95			
IP Grade	IP20 IP67			
Beam Angle	120degree			
Working Temp.	-25 --+45			
Life Time	30000H			
Length Per Roll	5M/Roll			
CCT Range	2700-3000K, 3000-3500K, 4000-4500K, 5000-5500K, 6000-6500K			
Warranty	3 years warranty			



# COB LED Strip Light Dual CCT Series



## Features

- ◆ 1. COB LED Source Design, uniform and soft light.
- ◆ 2. IP20, IP66, IP67, used indoor and outdoor.
- ◆ 3. High CRI design, CRI80 CRI90 CRI95 for option.
- ◆ 4. Thickness PCB design, over 2OZ PCB board, good heat dissipation.
- ◆ 5. Length cut-table, easy to meet different installation request.
- ◆ 6. High Brightness, Up to 100lm/W.
- ◆ 7. 2500K-3000K with 6000-6500K, adjustable full range CCT 2500-6500K.
- ◆ 8. 608leds/M.
- ◆ 9. DC24V input voltage available.



# COB LED Strip Light-Dual CCT Series



Technical Parameters--COB LED Strip Light Dual CCT

<b>Technical Parameters-Dual CCT Series</b>	
Model No.	OL-COB05DS
LED per Meter	608leds/M
Power per Meter	14W
FPCB Size	10mm
Luminous flux	/
Input Voltage	DC24V
LED Source	COB LED Chips
CRI Index	/
IP Grade	IP20 IP67
Beam Angle	120degree
Working Temp.	-25 --+45
Life Time	30000H
Length Per Roll	5M/Roll
CCT Range	2500-6500K
Warranty	3 years warranty





# COB LED Strip Light RGB Series



## Features

- ◆ 1. COB LED Source Design, uniform and soft light.
- ◆ 2. IP20, IP66, IP67, used indoor and outdoor.
- ◆ 3. High CRI design, CRI80 CRI90 CRI95 for option.
- ◆ 4. Thickness PCB design, over 2OZ PCB board, good heat dissipation.
- ◆ 5. Length cut-table, easy to meet different installation request.
- ◆ 6. High Brightness, Up to 100lm/W.
- ◆ 7. 2500K-3000K with 6000-6500K, adjustable full range CCT 2500-6500K.
- ◆ 8. 608leds/M.
- ◆ 9. DC24V input voltage available.

# COB LED Strip Light -RGB Series

**IP20 Non water-proof,  
IP67 Water-porooof.**



Ip20 Non-Waterproof



Ip67 Waterproof  
Hollow Glue Extrusion



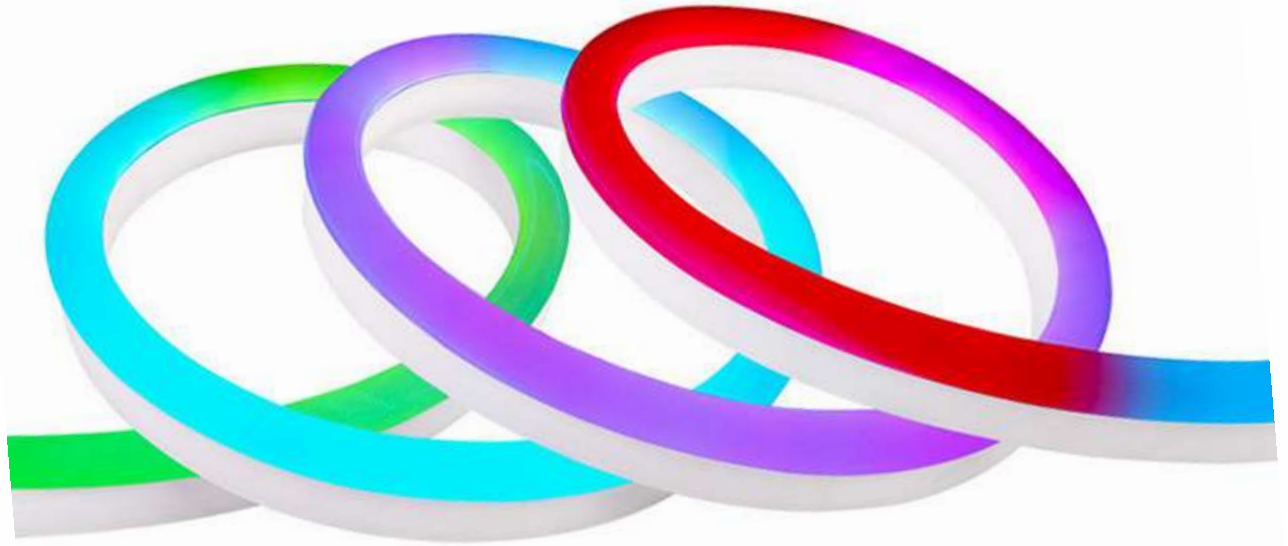
Ip67 Waterproof  
Double Color Neon Tube

## Technical Parameters-RGB Series

Technical Parameters-RGB Series	
Model No.	OL-COBRGB02
LED per Meter	768leds/M
Power per Meter	14W
FPCB Size	10mm
Luminous flux	/
Input Voltage	DC24V
LED Source	COB LED Chips
CRI Index	/
IP Grade	IP20 IP67
Beam Angle	120degree
Working Temp.	-25 --+45
Life Time	30000H
Length Per Roll	5M/Roll
CCT Range	RGB
Warranty	3 years warranty



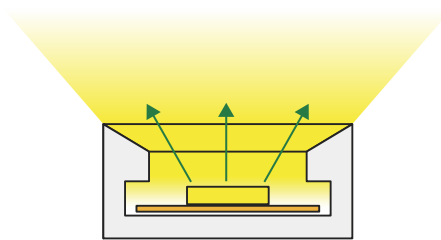
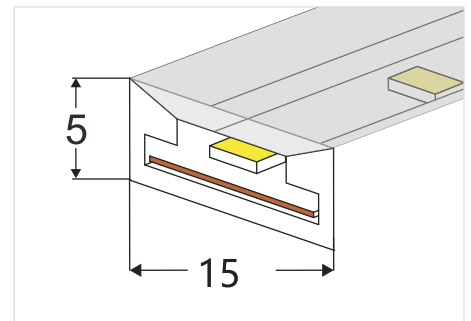
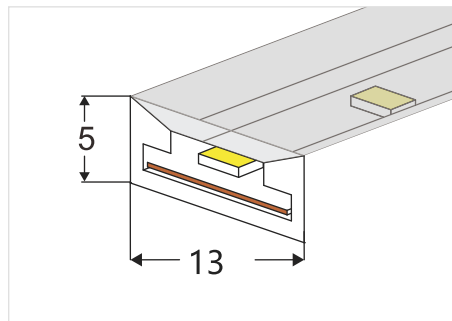
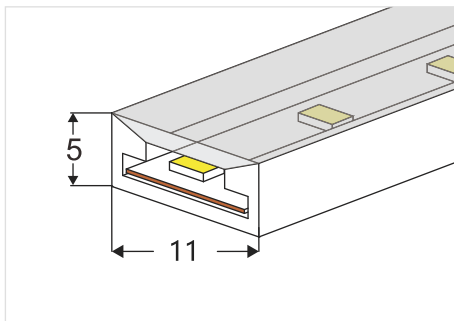
# LED Neon Light Series



## Features

- ◆ 1. PVC Silicone Tube Material.
- ◆ 2. IP67, used indoor and outdoor.
- ◆ 3. Different size for different FPCB 2835 5050 LED Strip Light.
- ◆ 4. Flexible, easy to be installed into a slot, and turned to different shapes.
- ◆ 5. Length cut-table, easy to meet different installation request.
- ◆ 6. Widely used indoor and outdoor, shopping mall, square place and landmark signs
- ◆ 7. Anti-break function.
- ◆ 8. DC12V DC24V input voltage available.

# LED Neon Light Series



Lighting Dairaction: Top Lighting



End cap with noie



End cap no hole



Plastic clip



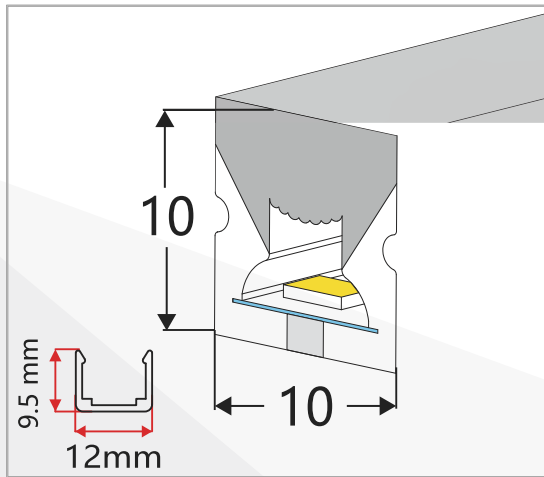
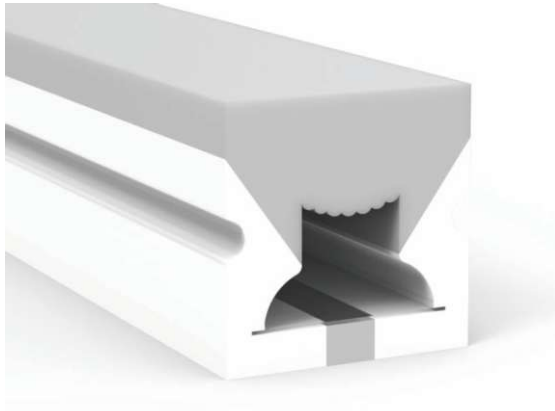
Plastic clip

PCB Width(mm)	8	10	12
Weight(g/m)	45	55	60
Section size(mm)	5*11	5*13	5*15
Beam angle	120°		
IP Grade	IP67		

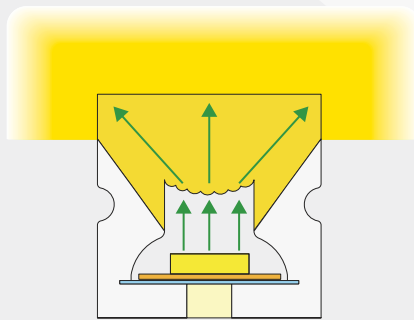


# TOP

View 10\*10mm



PCB Width(mm)	6
Weight(g/m)	104
Section size(mm)	10*10
Beam angle	180°



Lighting Direction: 3 sides Top Lighting

Cutting Mark: Yes



End cap with hole



End cap no hole



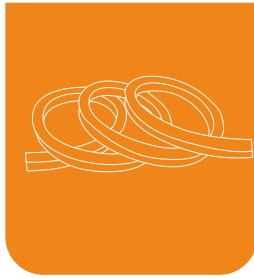
Aluminum Clip



Aluminum Profile

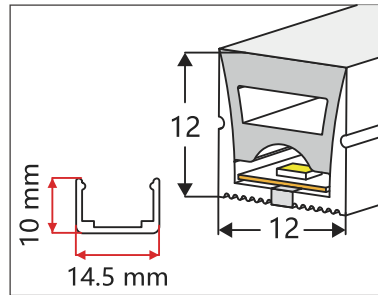
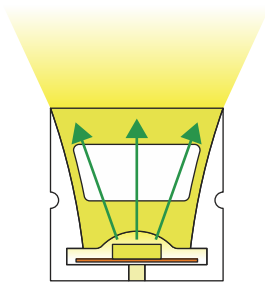


Flexible Profile



# TOP

## View 12\*12mm



PCB Width(mm)	
Weight(g/m)	135
Section size(mm)	12*12
Beam angle	120°
Lighting Dairction	Top Lighting
Cutting mark	Yes



End cap with hole



End cap no hole



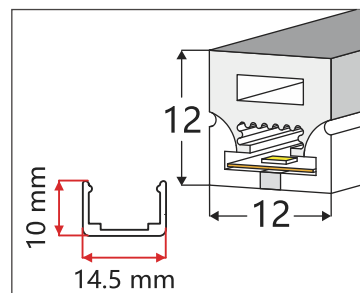
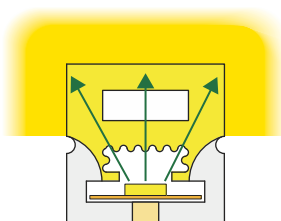
Aluminum Clip



Aluminum Profile



Flexible Profile



PCB Width(mm)	8
Weight(g/m)	249
Section size(mm)	12*12
Beam angle	180°
Lighting Dairction	3 sides Top Lighting
Cutting mark	Yes



End cap with hole



End cap no hole



Aluminum Clip



Aluminum Profile



Flexible Profile



# TOP

## View 16\*16mm



End cap with hole



End cap no hole



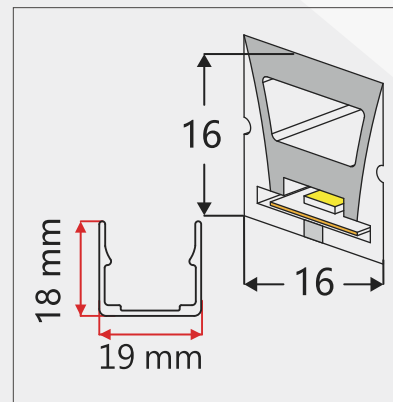
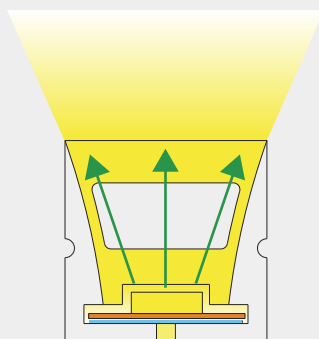
Aluminum Clip



Aluminum Profile



Flexible Profile



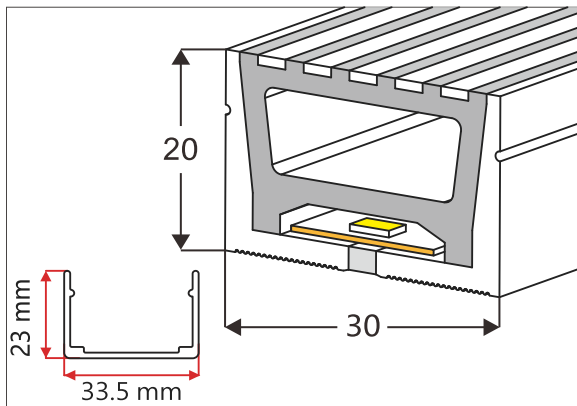
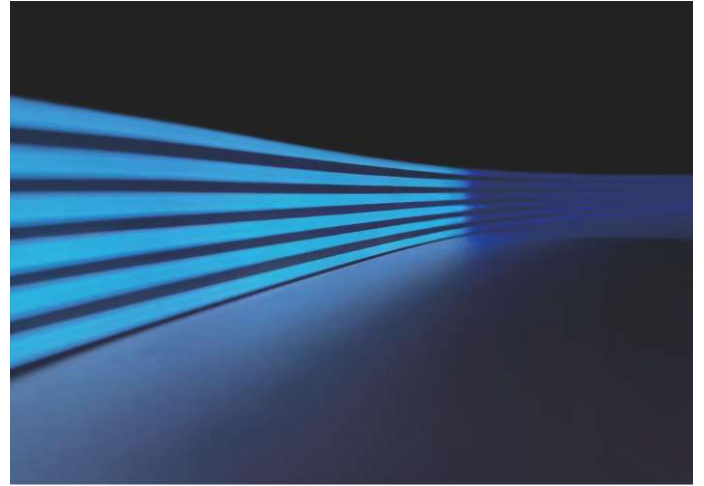
PCB Width(mm)	10
Weight(g/m)	224
Section size(mm)	16*16
Beam angle	120°
Lighting Dairrection	Top Lighting
Cutting mark	Yes



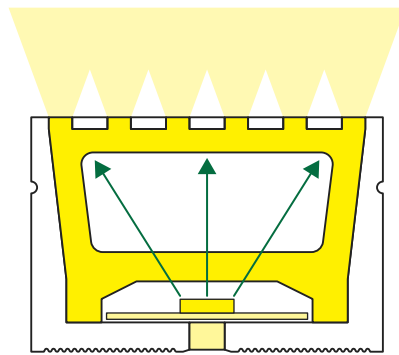


# TOP

View 30\*20 mm



PCB Width(mm)	12/15
Weight(g/m)	455
Section size(mm)	30*20
Beam angle	120°



Lighting Dairction: Top Lighting

Cutting mark:Yes



End cap with hole



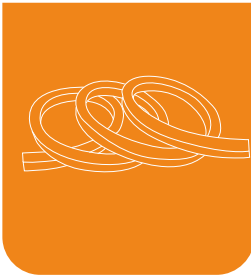
End cap no hole



Aluminum Clip

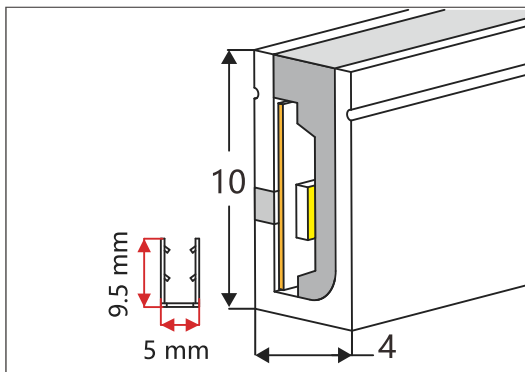
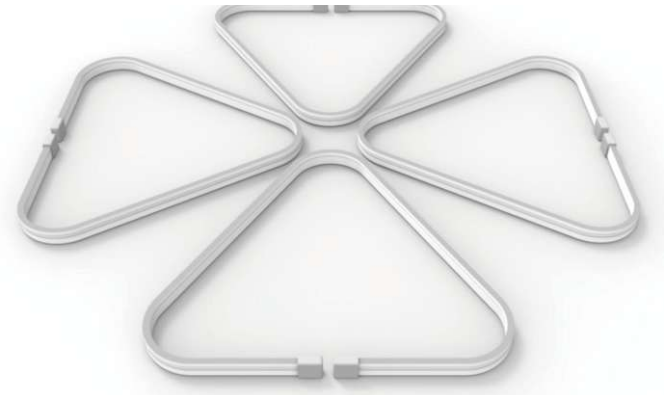
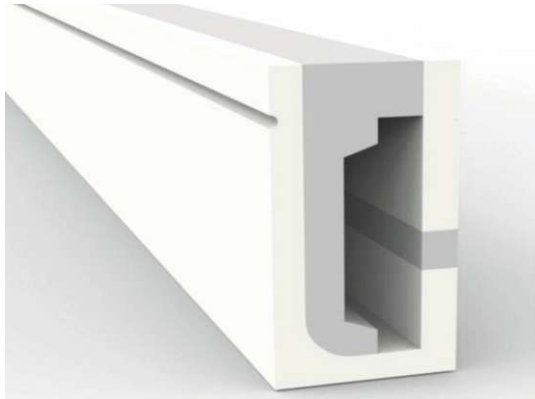


Aluminum Profile

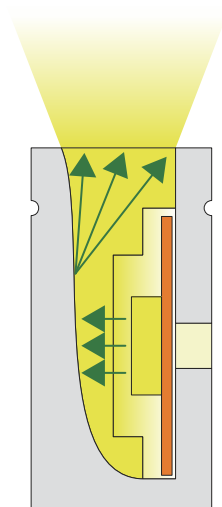


# TOP

View 04\*10mm



PCB Width(mm)	5/6
Weight(g/m)	41/43
Section size(mm)	4*10
Beam angle	120°



Lighting Direction: Side Lighting  
Cutting mark: Yes



End cap with hole



End cap no hole



Aluminum Clip

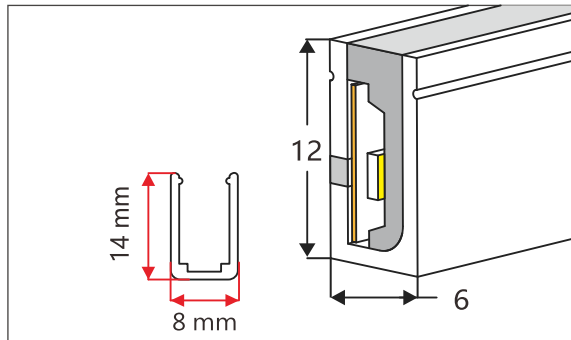
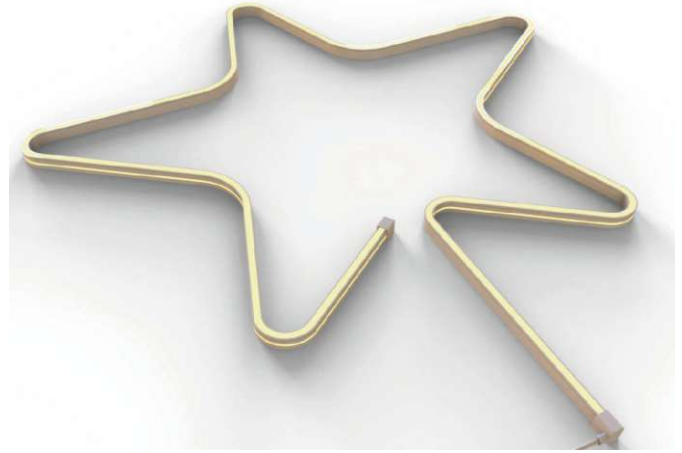
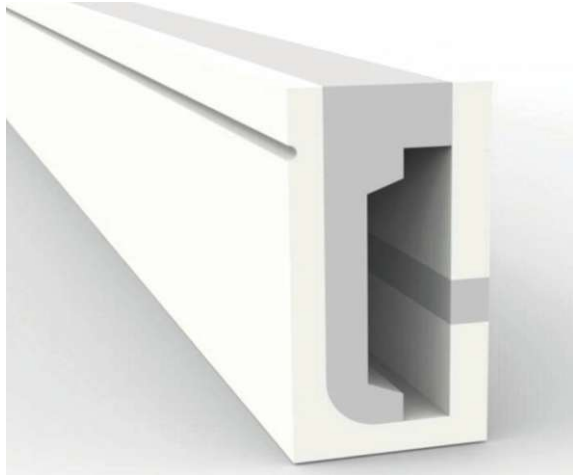


Flexible Profile

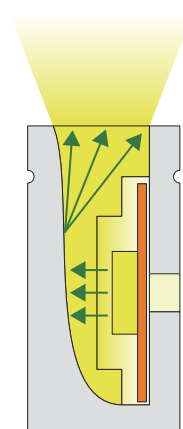


# TOP

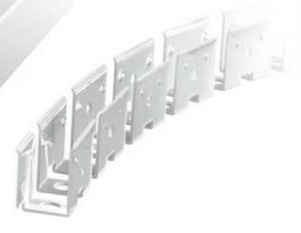
View 06\*12mm



PCB Width(mm)	8
Weight(g/m)	77
Section size(mm)	6*12
Beam angle	120°



Lighting Direction: Side Lighting  
Cutting mark:Yes



End cap with hole

End cap no hole

Aluminum Clip

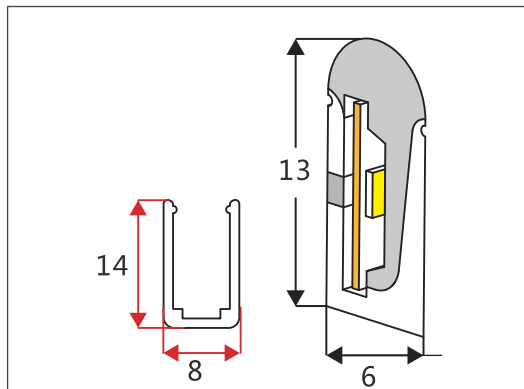
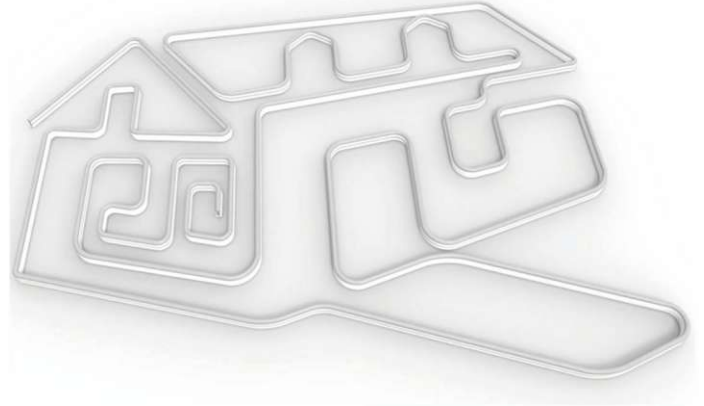
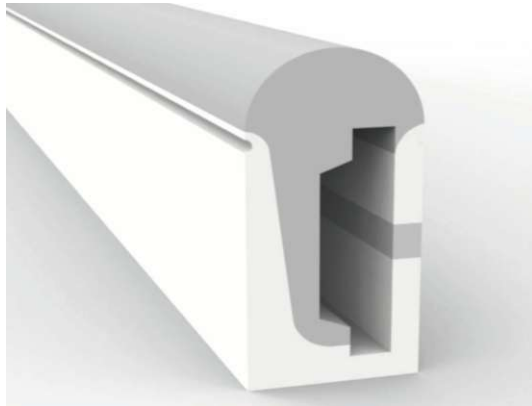
Aluminum Profile

Flexible Profile

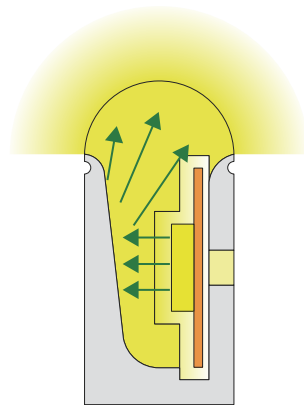


# TOP

View 06\*13mm



PCB Width(mm)	8
Weight(g/m)	76
Section size(mm)	6*13
Beam angle	180°



Lighting Direction: Side Lighting  
Cutting mark:Yes



End cap with hole



End cap no hole



Aluminum Clip



Aluminum Profile

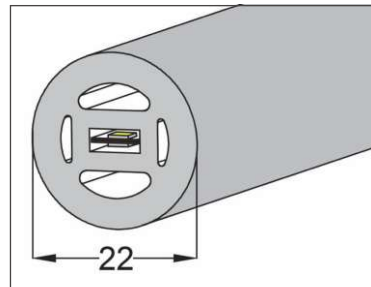
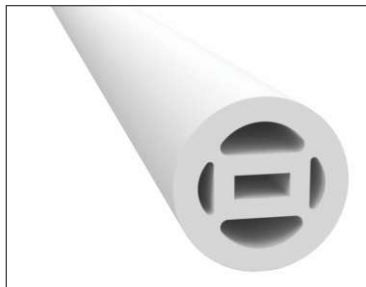


Flexible Profile



# 360° View

Dia: Ø22 mm



PCB Width(mm)	double-sided 6
Weight(g/m)	330
Section size(mm)	Ø 22
Beam angle	360°



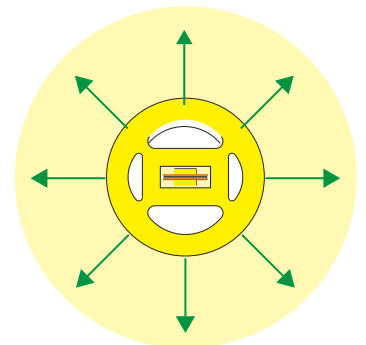
End cap with hole



End cap no hole



Plastic clip

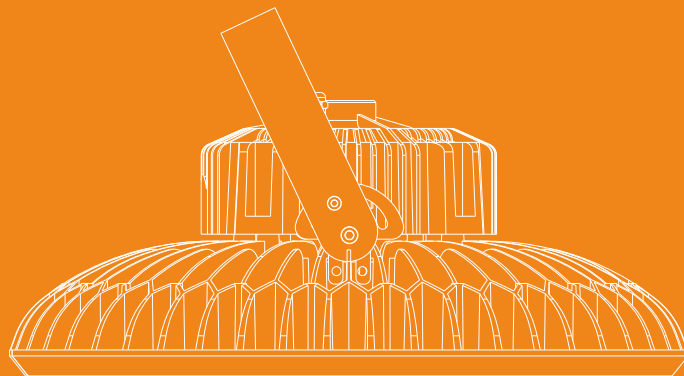


Lighting Direction: 360°



# UFO High Bay Light

© Windy-Series      © NE-Series







# UFO High Bay Light -Windy Series



## Features

Special housing design  
Excellent heat dissipation  
>140lm/w or 170lm/w

# UFO High Bay Light-Windy series

---



## Heat Sink

Die Casting Aluminum 12(ADC12)



## LED Chips

LED Source: LM80 Philips (LUMILEDS),  
Osram or Epistar 3030, CRI>80Ra



# UFO High Bay Light-Windy Series

## IP 65 UFO High Bay light 60°、90°、120°



Technical Parameters-(>140lm/w)				
Model No.	OL-UFO 280-N100W	OL-UFO 340-N150W	OL-UFO400-N200W	OL-UFO 400-N240W
Power	100W	150W	200W	240W
LED (QTY)	133 pcs	210 pcs	315 pcs	343 pcs
Dimension	280*H168mm	340*H174.5mm	400*H175.5mm	
Input Voltage	AC100-277V,50/60Hz			
P.F.	>0.93			
CRI	CRI>80Ra			
Beam Angle	60°/90°/120°			
Lighting Effect	>140LM/W			
Driver (Brand)	MEANWELL, INVENTRONICS			
LED source(Brand)	LUMILEDS/OSRAM SMD LED3030			

Technical Parameters-(>170lm/w)				
Model No.	OL-UFO280-N100W	OL-UFO340-N150W	OL-UFO400-N200W	OL-UFO400-N240W
Power	100W	150W	200W	240W
LED (QTY)	196 pcs	308 pcs	420 pcs	448 pcs
Dimension	280*H168mm	340*H174.5mm	400*H175.5mm	
Input Voltage	AC100-277V,50/60Hz			
P.F.	>0.93			
CRI	CRI>80Ra			
Beam Angle	60°/90°/120°			
Lighting Effect	>170LM/W			
Driver (Brand)	MEANWELL, INVENTRONICS			
LED source(Brand)	LUMILEDS/OSRAM SMD LED3030			



# UFO High Bay Light-Windy Series





# UFO High Bay Light -NE Series



## Heat Sink

Die Casting Aluminum 12(ADC12)



## LED Chips

LED Source: LM80 Philips (LUMILEDS),  
Osram or Epistar 3030, CRI>80Ra





# UFO High Bay Light-NE Series



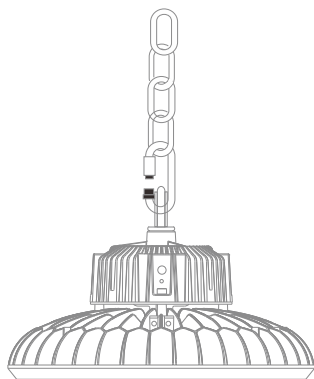
# UFO High Bay Light-NE Series

**IP 65 UFO High Bay light 60°, 90°, 120°**

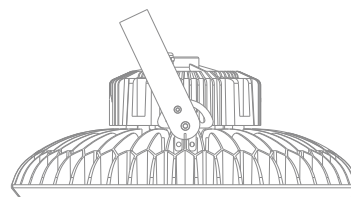


## Installation Method

Chain Mount:



Surface Mount:



### Technical Parameters

Model No.	OL-UFO280-80W	OL-UFO280-100W	OL-UFO340-120W	OL-UFO340-150W	OL-UFO400-200W	OL-UFO400-240W
Power	80W	100W	120W	150W	200W	240W
LED (QTY)	133PCS	133PCS	210PCS	210PCS	315PCS	315PCS
Dimension	Dia280*185mm		Dia340*187mm		Dia400*196.5mm	
Input Voltage	AC100-277V,50/60Hz					
P.F.	>0.93					
CRI	CRI>80Ra					
Beam Angle	60°/90°					
Lighting Effect	>130LM/W					
Driver (Brand)	MEANWELL, INVENTRONICS					
LED source(Brand)	LUMILEDS(Philips)/Osram SMD LED3030					



OLANLIGHT

Product Catalog

OlanLighting Shenzhen Co., Ltd.

---

**2022**

