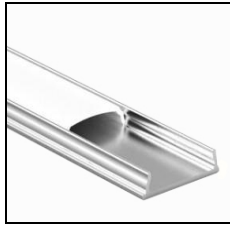
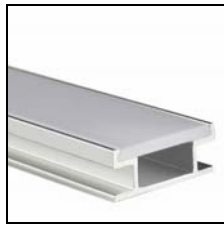


LED Aluminum Profile Applications



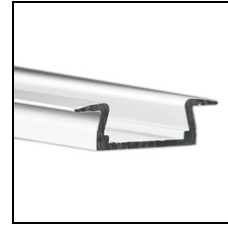
MS-P1806



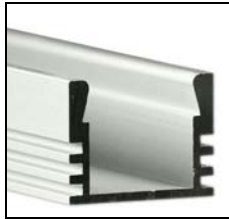
MS-P1908



MS-P1506



MS-P2206



MS-P1612



MS-P2212



MS-O3030



MS-P1919



MS-P2626



MS-P3006



MS-P3010



MS-P4008



MS-P3535E



MS-P3535D



MS-P4538



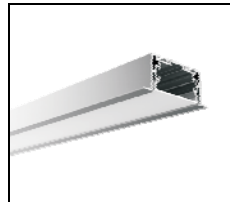
MS-P3528



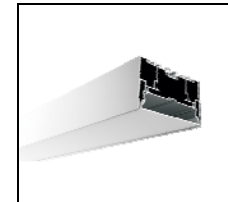
MS-P7026



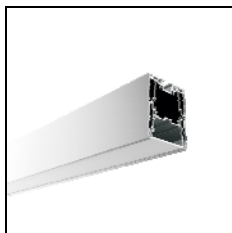
MS-L7035



MS-L9035

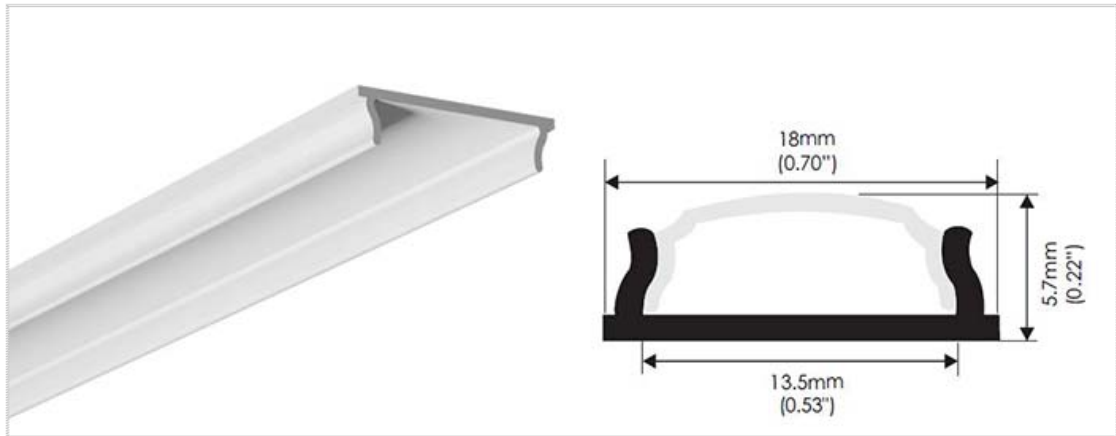



MS-L7555



MS-L7575

(1) MS-P1806



MS-P1806	Length	led strip width	surface finish
	1m(standard)	1x LED strip	anodized
	2m(standard)	Max 8,10,12mm	
	3m(standard)		

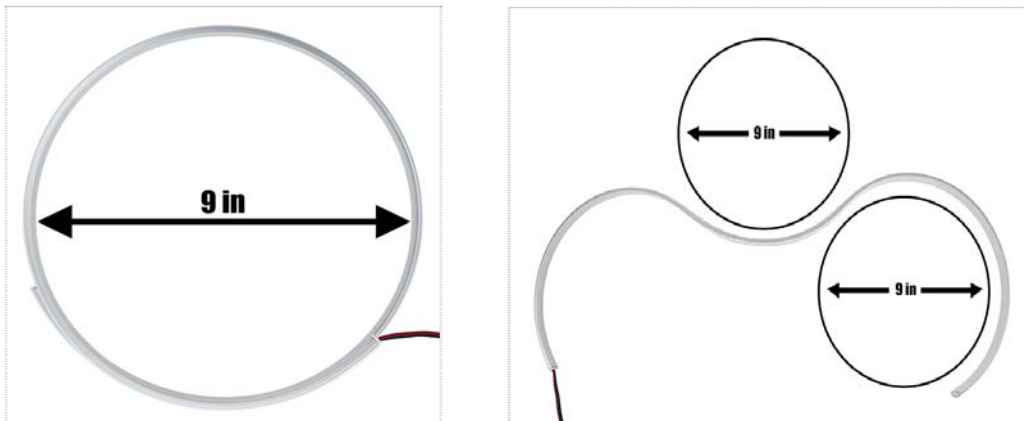
Standard



New Bendable Aluminum LED Profile (MS-P1806-2M) is ideal for straight linear runs or it can bend and shape to surfaces that are non-linear making installation easier for curved shapes. Made from high quality Aviation 6063-T5 aircraft aluminum and Anodized, and can be used with Genesis One Lighting's LED strips that are 8~12mm wide.



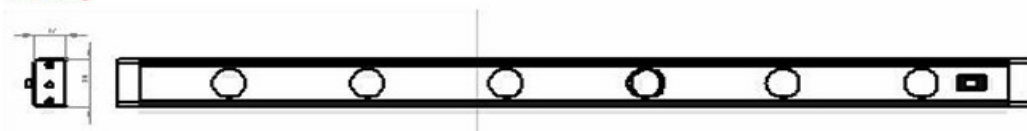
It can bend to many different shapes. Like as U O P W, use for some special applications.



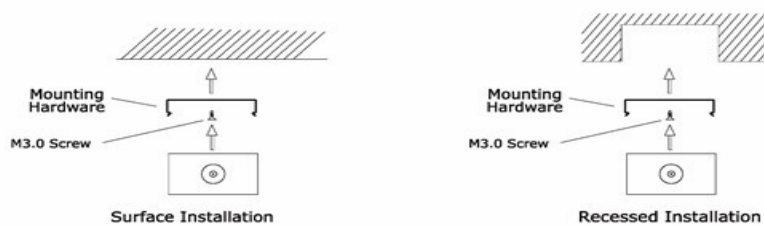
Applications: cabinets LED Lighting, indoor LED lighting, furniture led lighting, store shelf led lighting, Exhibition booth LED lighting, window display LED lighting, jewelry counter lighting etc

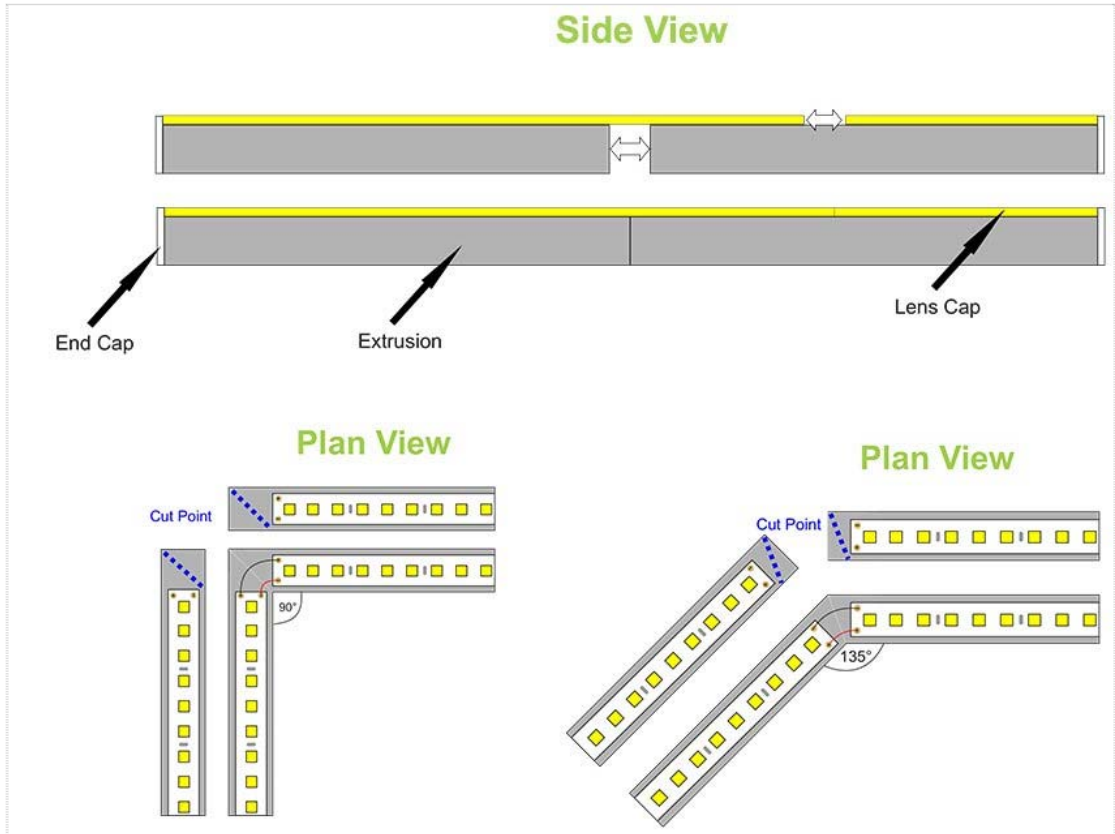


Drawing




Installation information:





(2) MS-P1908

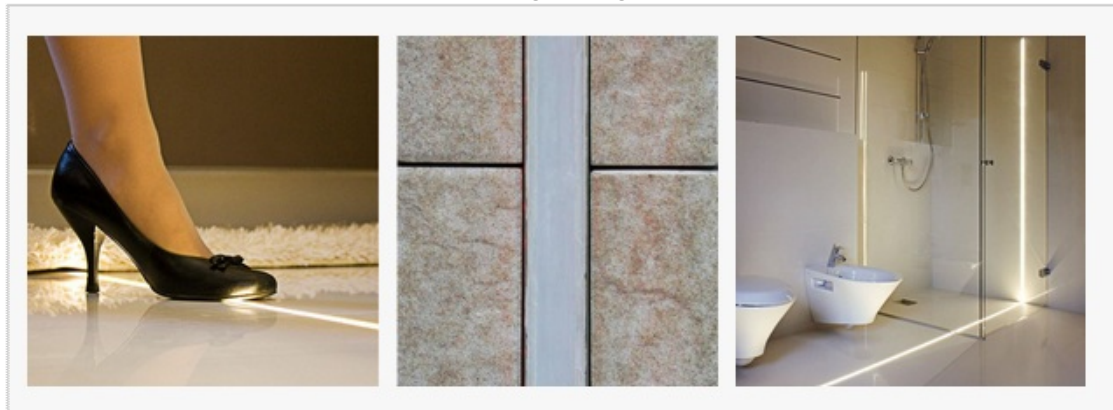


MS-P1908	Length	led strip width	surface finish
	1m (standard) 2m (standard) 3m (standard)	1x LED strip Max 8, 10mm	Anodized

Standard



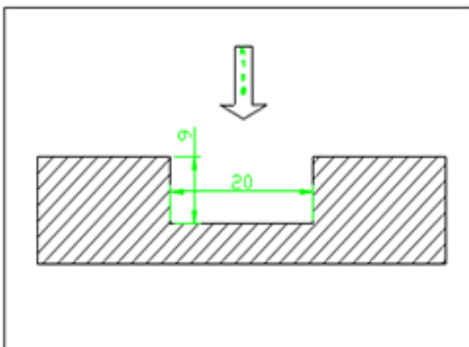
This profile is embedded type most often used to install LED lights on the street or in areas where there is a risk of moisture ingress. It can be a space near the pool, in the intervals of terrace boards in paving tile, granite and ceramic plates, etc.



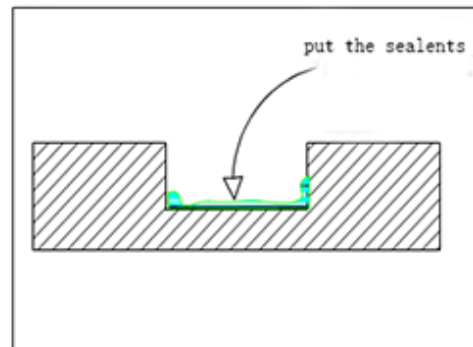
The main difference from other types of profiles, it is massive and durable light diffusing PC Cover, which is mounted with a special sealant. This profile is best protects the LEDs from moisture and mechanical damage.



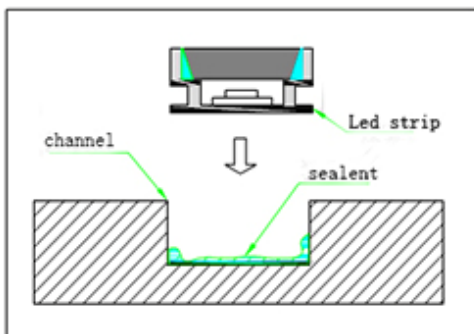
Step1.



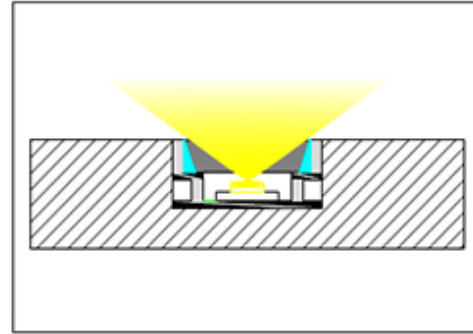
Step2



Step3




Step4



(3) MS-P1506



MS-P1506	Length	led strip width	surface finish
	1m (standard)	1x LED strip	Anodized
	2m (standard)	Max 8, 10mm	
	3m (standard)		

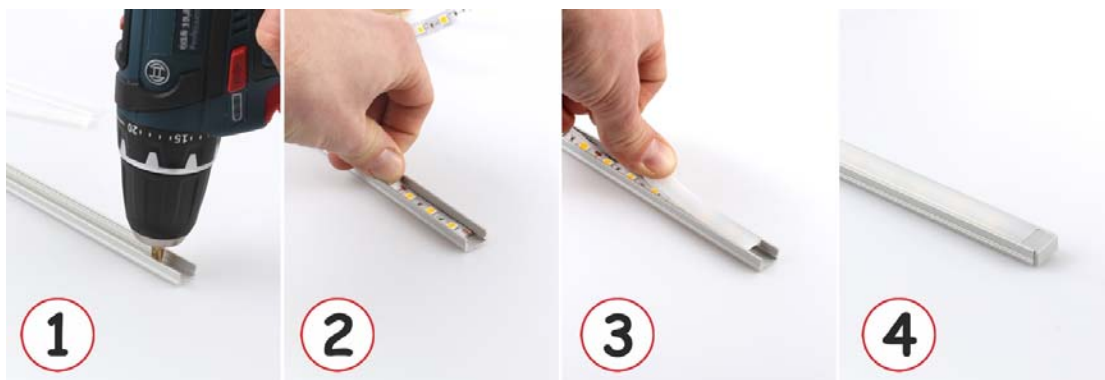
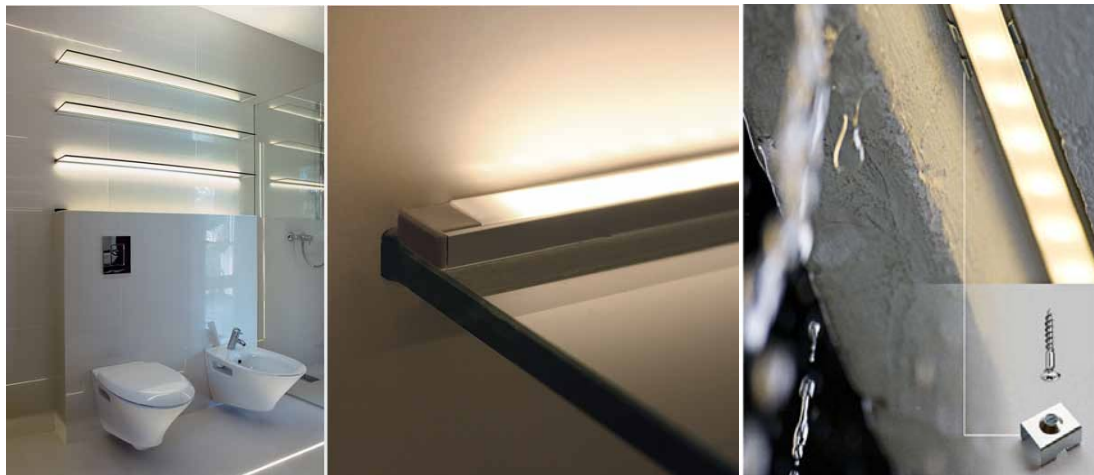
Standard



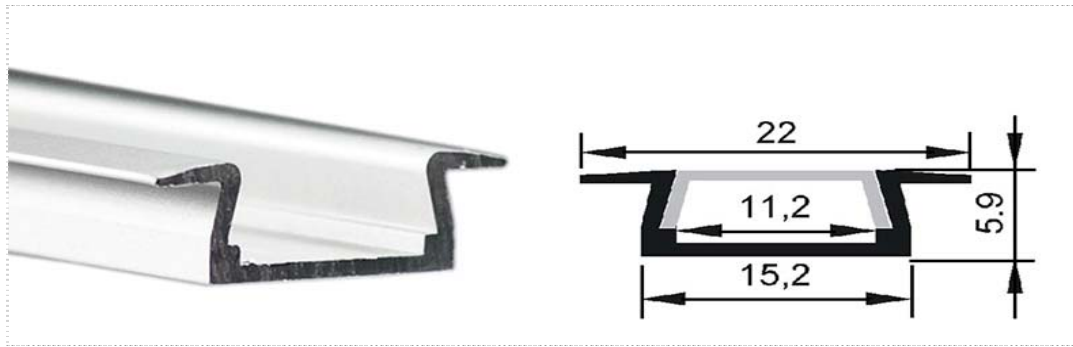
This aluminum profile type applicator, although it can be used, including, as a mortise




The profile can be activated to create decorative glowing bands in the walls, ceiling, floor, lights, work surfaces, shelves, steps, niches, front lighting glass or acrylic, etc.



(4)MS-P2206



MS-P2206	Length	led strip width	surface finish
	1m (standard)	1x LED strip	Anodized
	2m (standard)	Max 8, 10mm	
	3m (standard)		

Standard



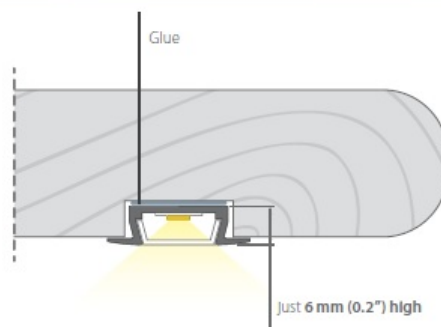
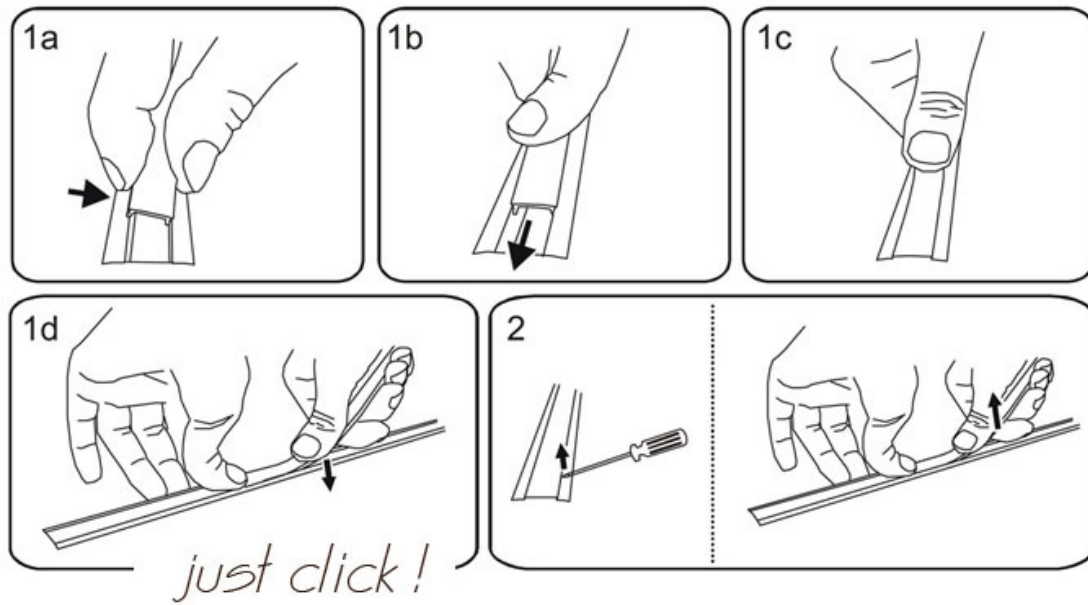
This aluminum profile is flush mount.

Application: one of the most popular models profiles

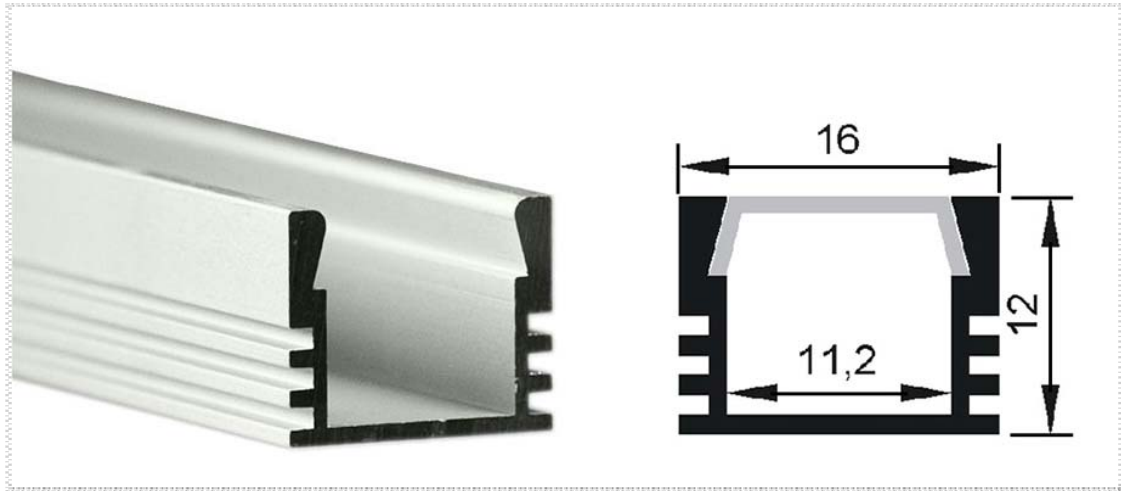
It is designed to tie-in furniture, shelves, drywall, wooden partitions, etc., as shown in the example



The profile can be activated to create decorative luminescent bands in the walls, ceiling, floor, lights, work surfaces, shelves, steps, niches.



(5)MS-P1612



MS-P1612	Length	led strip width	surface finish
	1m (standard) 2m (standard) 3m (standard)	1x LED strip Max 8, 10mm	Anodized

Standard



Optional



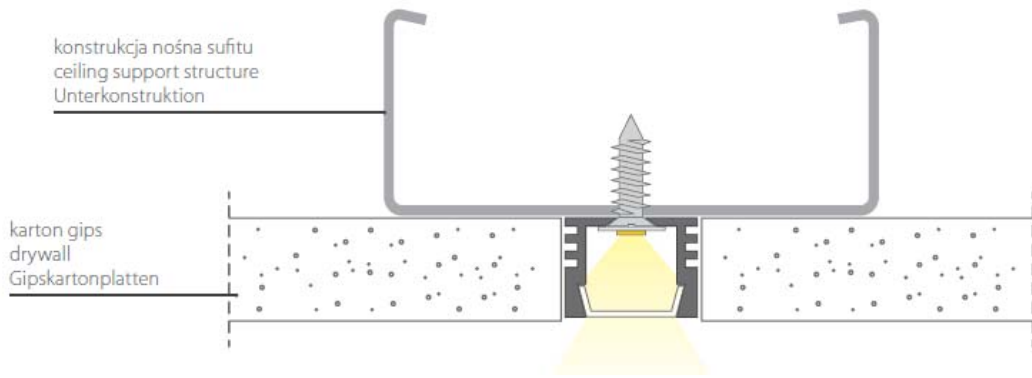
This aluminum profile can be as mortise and overhead

LED profile MS-P1612 is virtually identical to the profile of the MS-P1506.

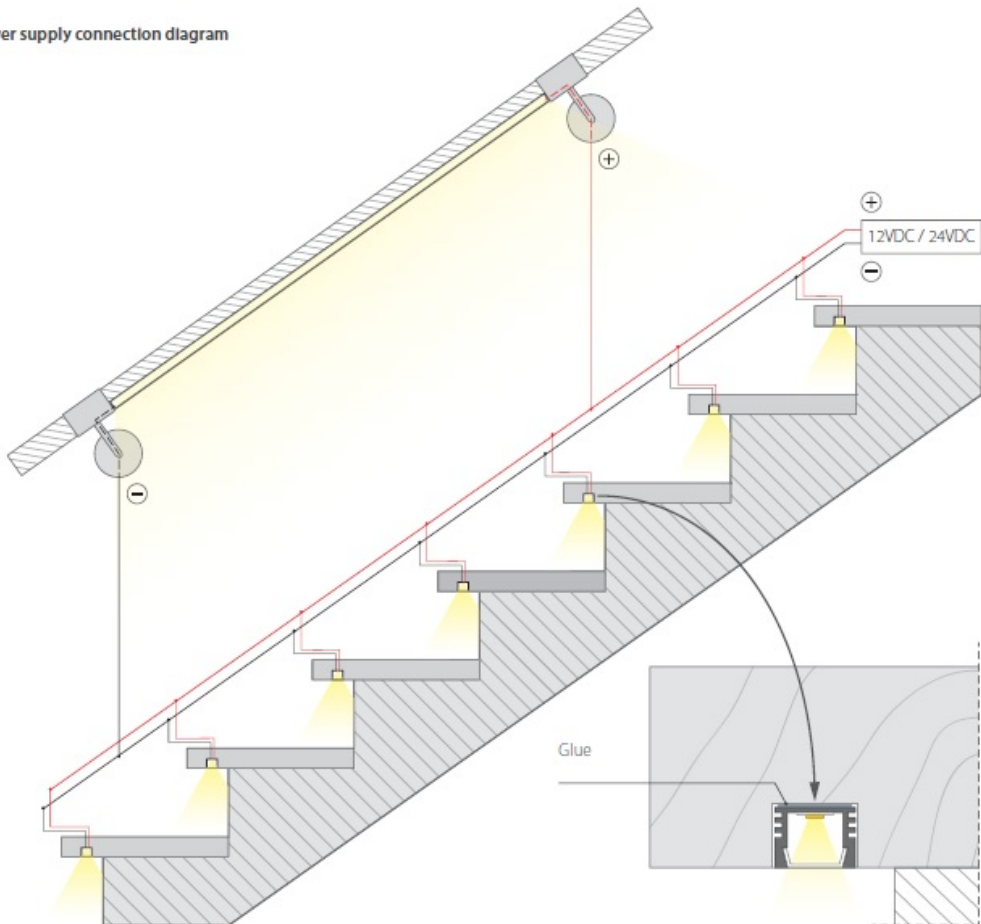
The only difference is installation depth LEDs.

When installed in this profile LED strip SMD 3528-120 using milk PC Cover - you will achieve is a uniform line of light, without the effect of a point.

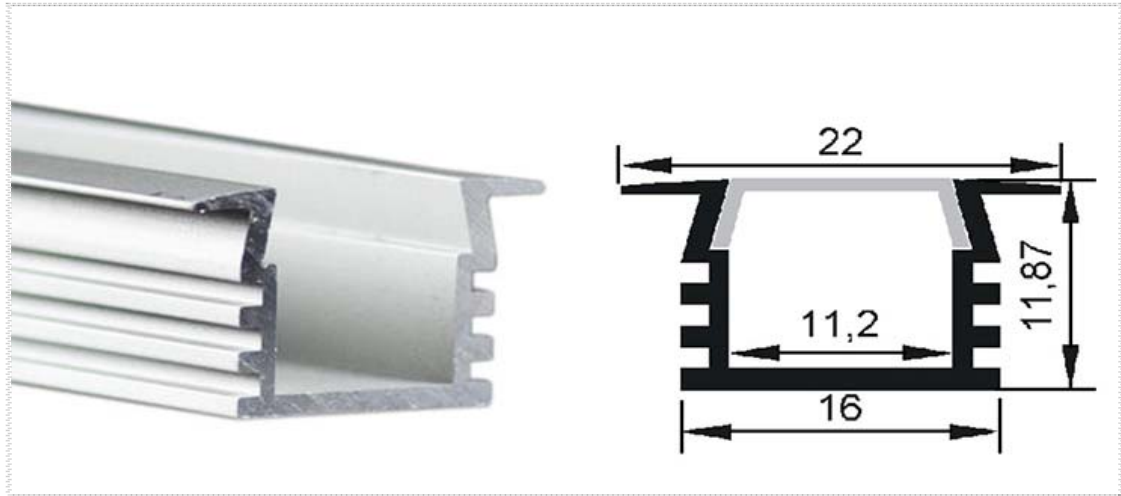





Power supply connection diagram



(6)MS-P2212



MS-P2212	Length	led strip width	surface finish
	1m (standard) 2m (standard) 3m (standard)	1x LED strip Max 8, 10mm	Anodized

Standard

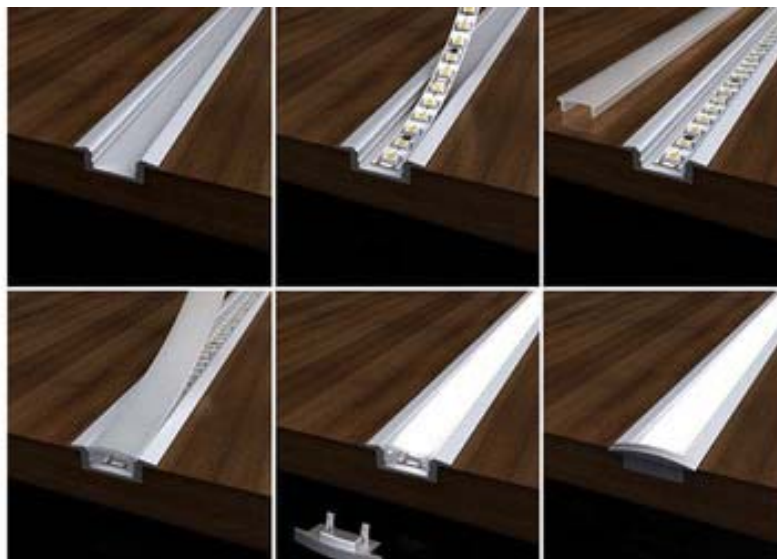


Deep mortise profile, you can to create bands of light with uniform illumination without points.

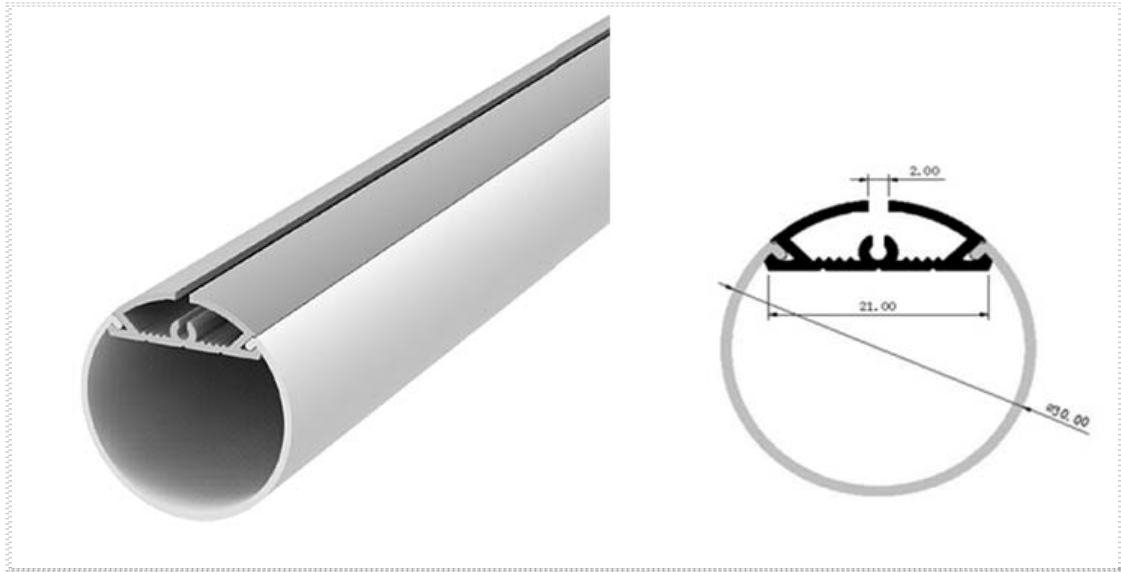
Embedded in this profile walls, ceiling, floor, furniture, you can create a stunning and unique interior design.




The interior and exterior, the product profile of MS-P2212 can perform as a decorative function, and the function of basic lighting.



(7)MS-O3030

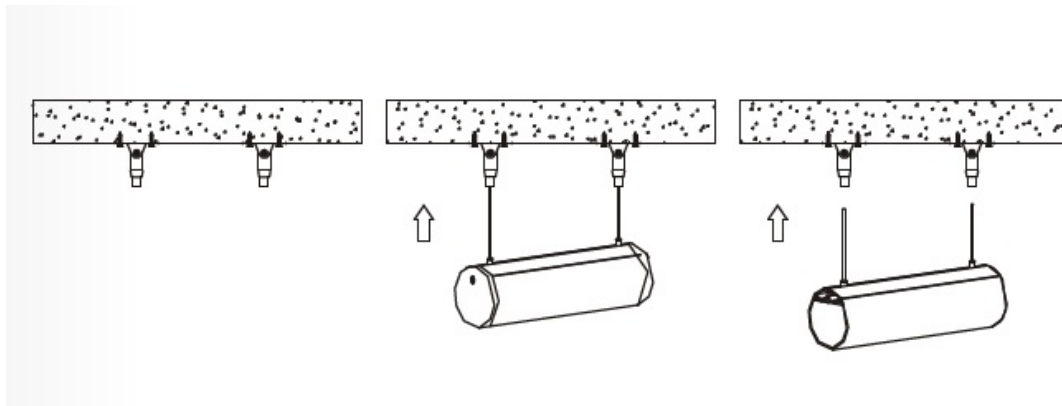


MS-O3030	Length	led strip width	surface finish
	1m (standard)	1x LED strip	Anodized
	2m (standard)	8, 10, 12,16mm	
	3m (standard)		

Standard



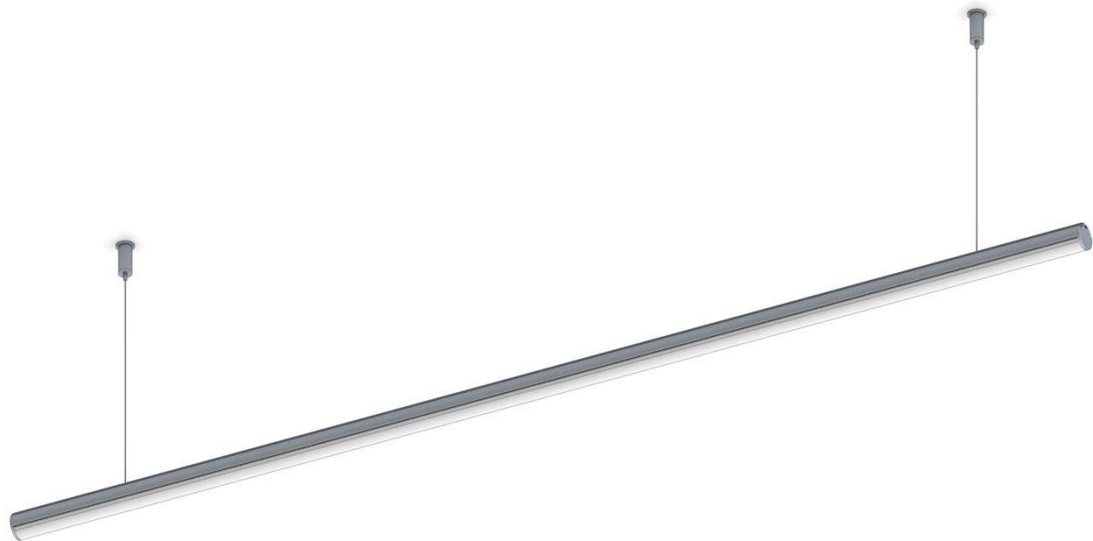
O3030 - is a deep profile of a circular shape, which is most commonly used for the manufacture of linear LED fixtures on suspensions, stretching and stuff.



Fixtures of this profile are incredibly comfortable to illuminate paintings in galleries and exhibitions.

Profile O3030 is often used for the manufacture of the main lighting fixtures main offices and administrative offices.

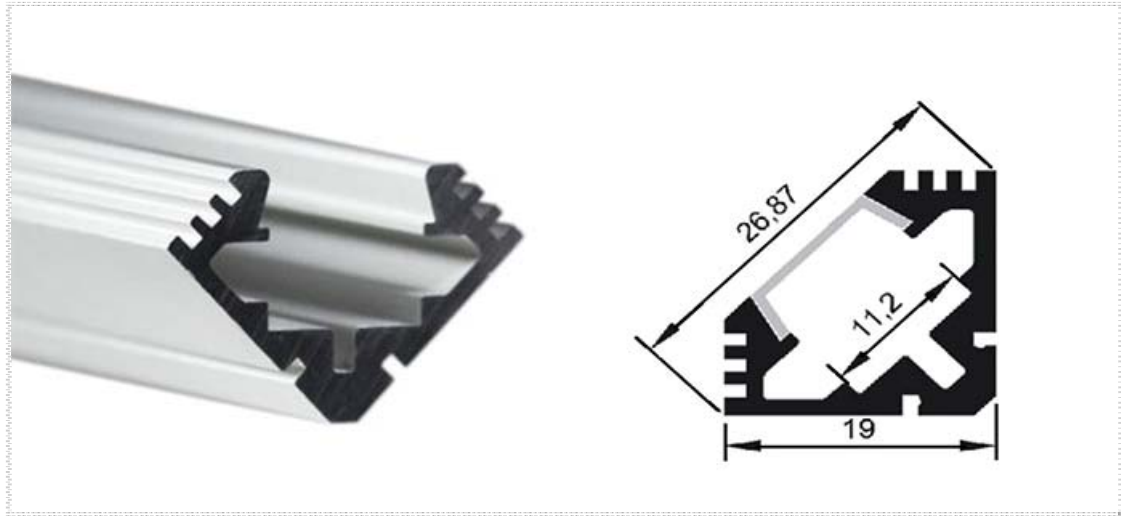
A round profile often finds its application in furniture manufacturing, advertising and architecture.




Exclusive products from Profile



(8)MS-P1919



MS-P1919	Length	led strip width	surface finish
	1m (standard)	1x LED strip	Anodized
	2m (standard)	Max 8, 10mm	
	3m (standard)		

Standard

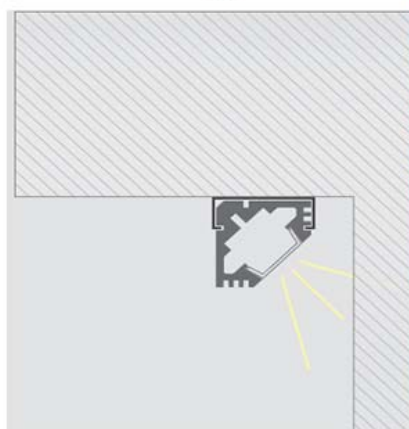


Designed for mounting the LED light source at an angle of 45 degrees with respect to the mounting surface, which allows to effectively use light. Profile directs the light beam to the object illumination and prevents it in people's eyes.

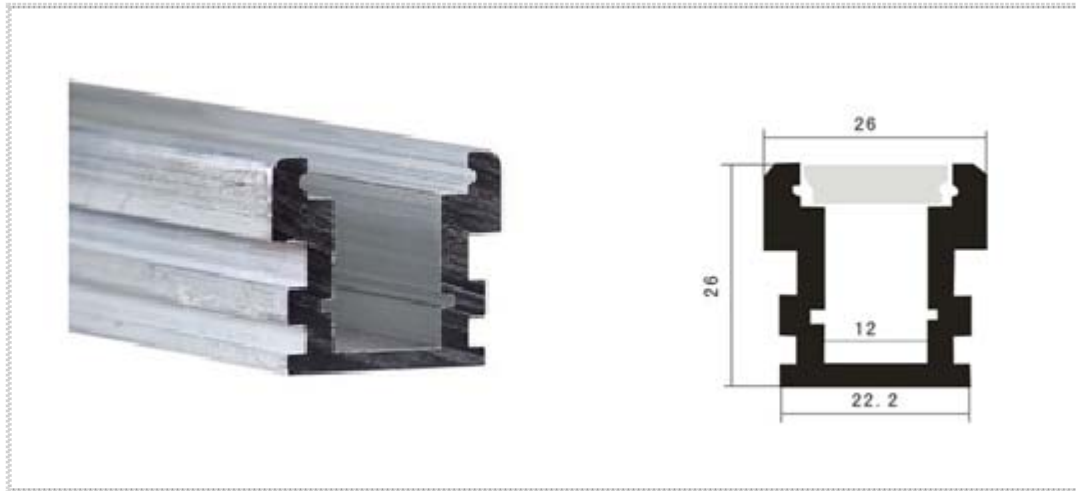
Steam is often used to illuminate the shopping marts, especially showcases jewelry stores, furniture for illumination, and sometimes, in the interior illumination.




MS-P1919 used for the production of lamps for the lighting of the gallery of paintings and other exhibits.

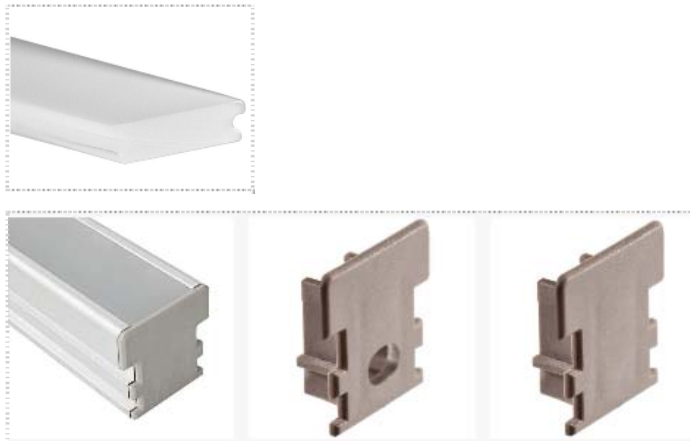


(9) MS-P2626

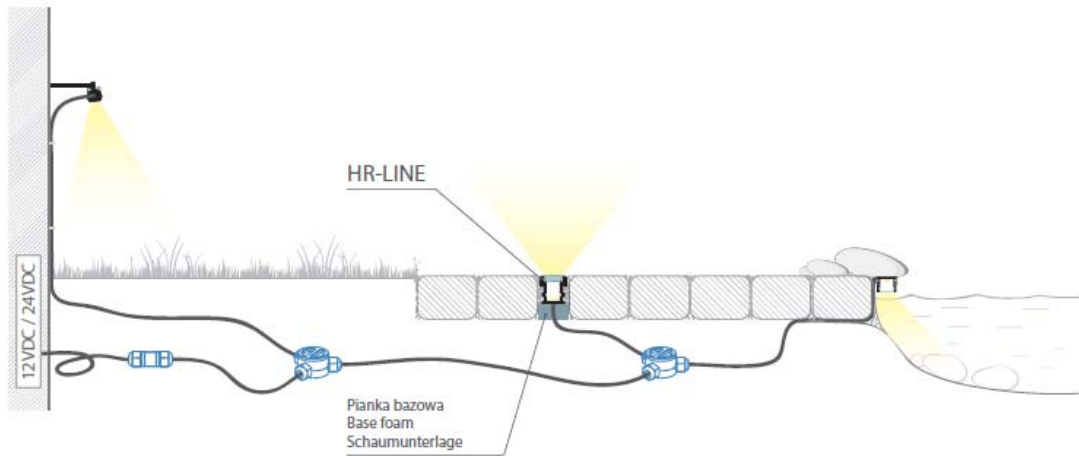


MS-P2626	Length	led strip width	surface finish
	1m (standard) 2m (standard) 3m (standard)	1x LED strip Max 8, 10mm	Anodized

Standard



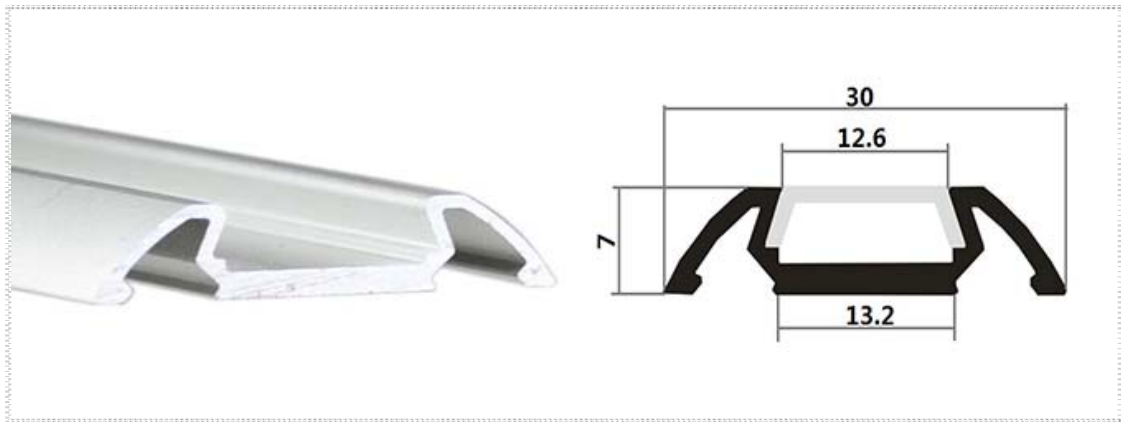
Unique profile P2626 is ideal for mounting underground . There is no better solution to install lighting in the parking . It can be installed in a space near the pool , in the intervals of terrace boards in paving tiles , granite and ceramic plates , etc.




The main difference between the profile of P1908, from other types of profiles, it is massive and durable light diffusing PC Cover, which is mounted with a special sealant (sealant name, we strongly recommend to learn from employees MSD Light). This profile is best protects the LEDs from moisture and mechanical damage.



(10) MS-P3006

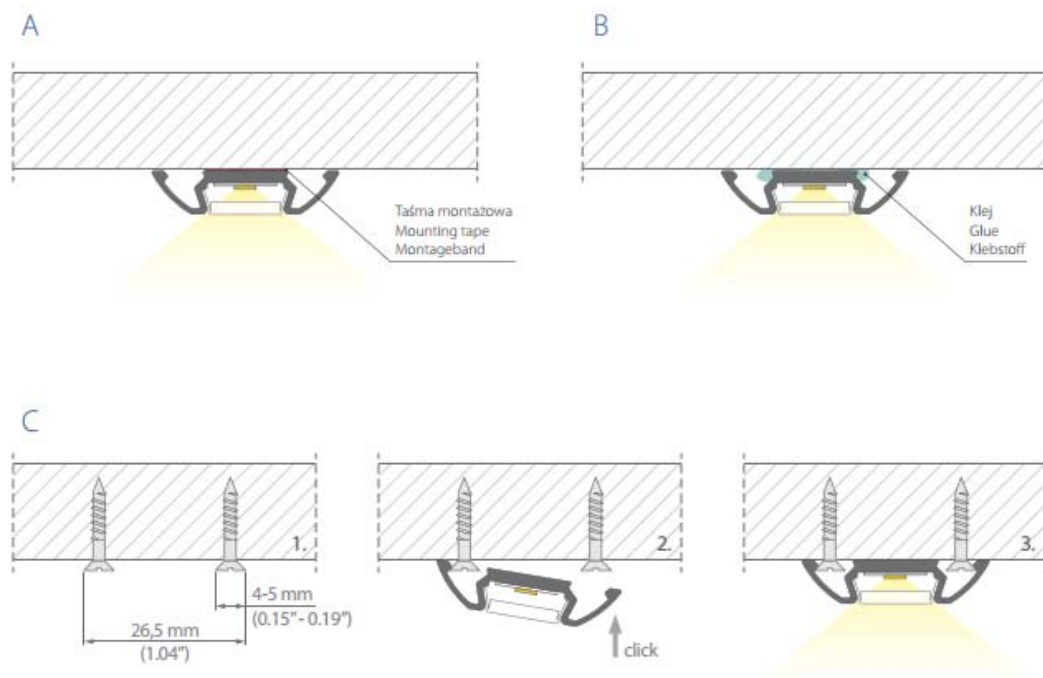


MS-P3006	Length	led strip width	surface finish
	1m (standard)	1x LED strip	Anodized
	2m (standard)	Max 8, 10mm	
	3m (standard)		

Standard

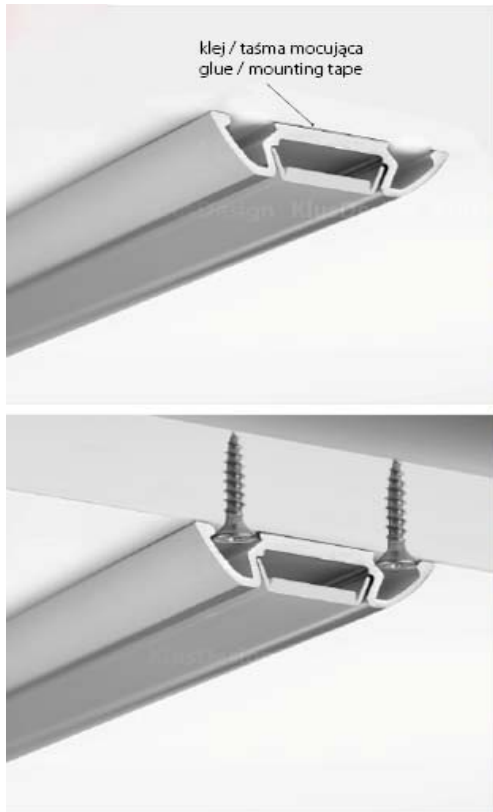


P3006 LED Aluminum channel strip puts led flex strip or led rigid strip in the aluminum profile to realize decoration functions. With attractive shape and beam angle, it can be widely used in building fitment.

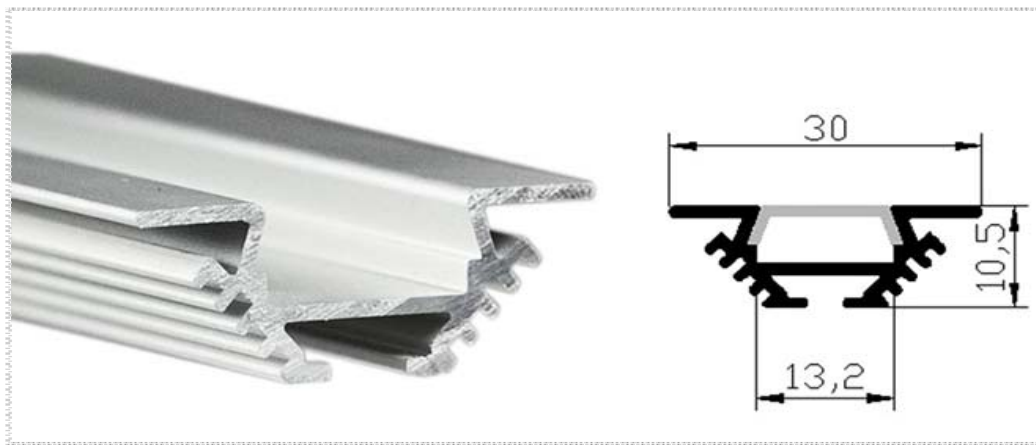



It can be mounted on shelves, furniture, walls, floors, etc.



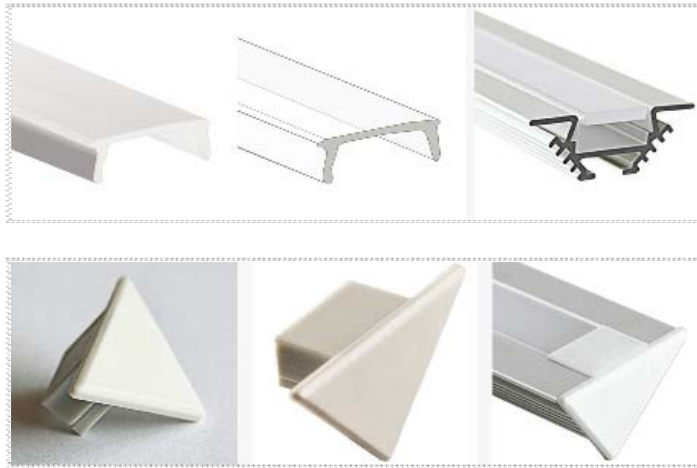


(11) MS-P3010



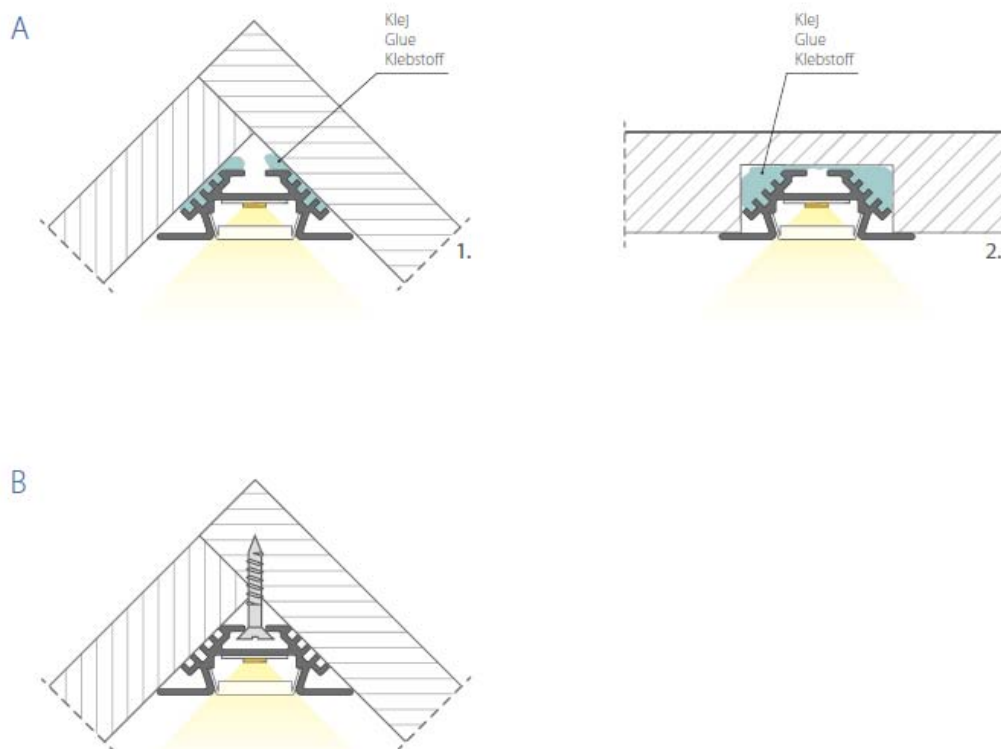
MS-P3010	Length	led strip width	surface finish
	1m (standard) 2m (standard) 3m (standard)	1x LED strip Max 8, 10,12mm	Anodized

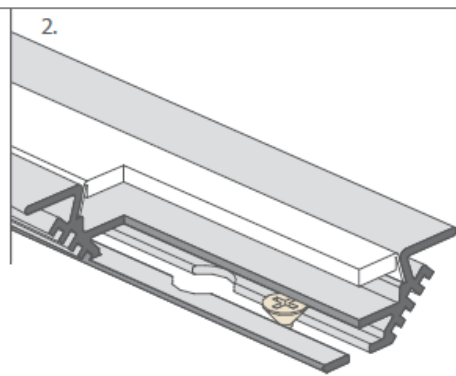
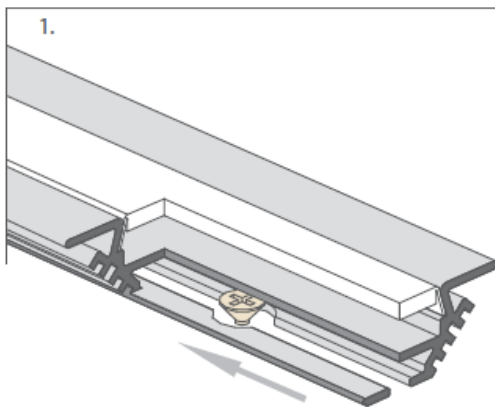
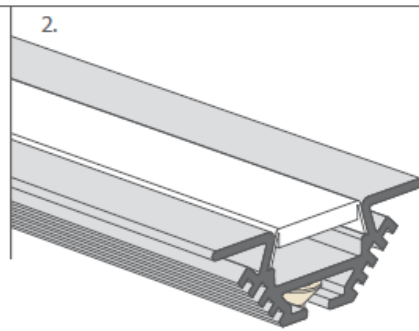
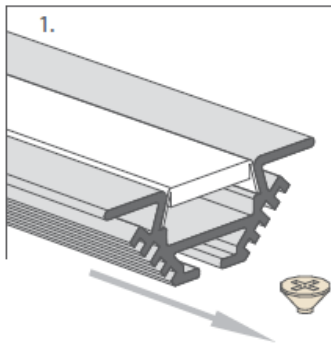
Standard



Profile angled mounting P3010, is mainly used to illuminate the facade windows.

Installation of lighting using profile PML-180 is very simple and requires no special skills.






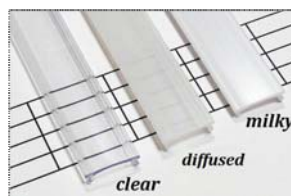


(12) MS-P4008



MS-P4008	Length	led strip width	surface finish
	1m (standard) 2m (standard) 3m (standard)	1x LED strip Max 8, 10, 12,16mm	Anodized

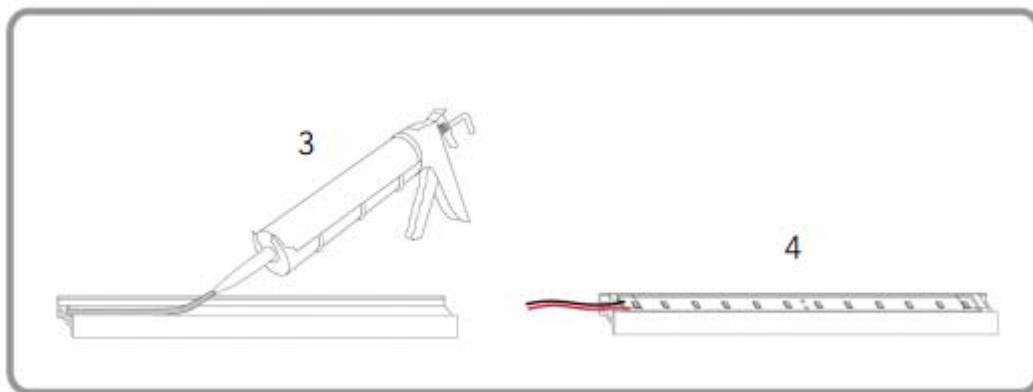
Standard



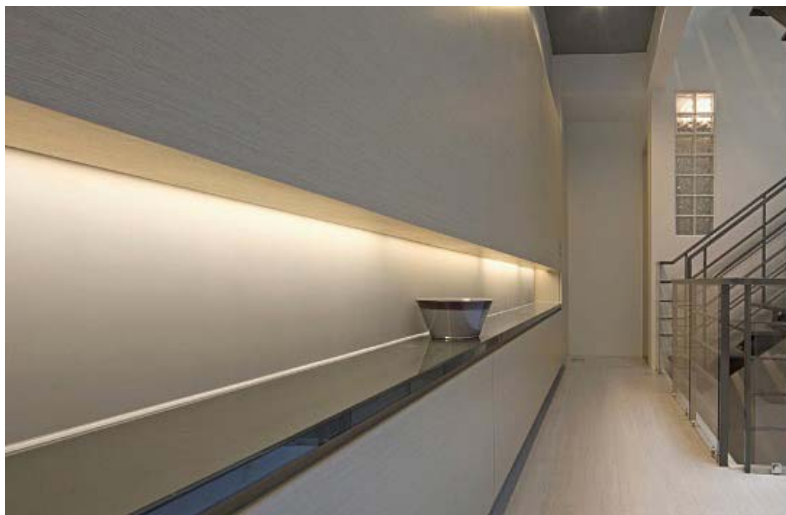
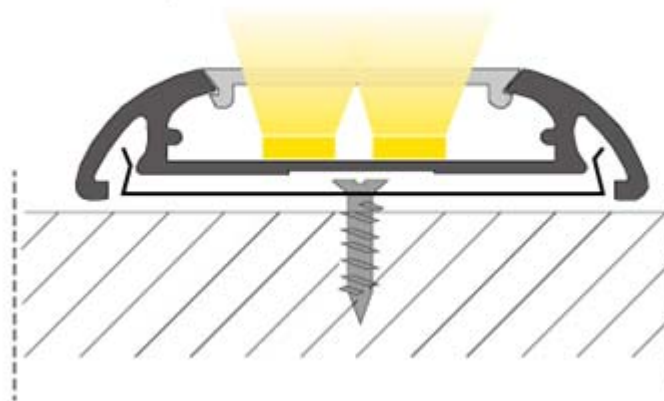
Profile P4008 is surface-profile type, its beauty is limited only by your imagination. It's a versatile and sleek profile designed to act as a heat sink and housing for our 8mm, 10mm, or 12mm LED Strip Lights.

The curved wing channel provides both modern appeal and a variety of mounting options to illuminate displays, cabinets, shelving, ceilings, furniture or any other lighting application.

The profile can be clicked over the top of mounting screw for a secure mount

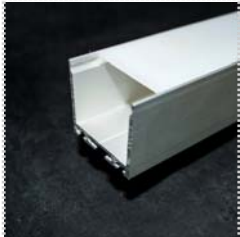


first of all drill your screws in the right place and the others is so easy.



(13) MS-P3535E



MS-P3535E	Length	led strip width	surface finish
	1m (standard)	1x LED strip	Anodized
	2m (standard)	Max 8, 10, 12, 16mm	
	3m (standard)		

Standard

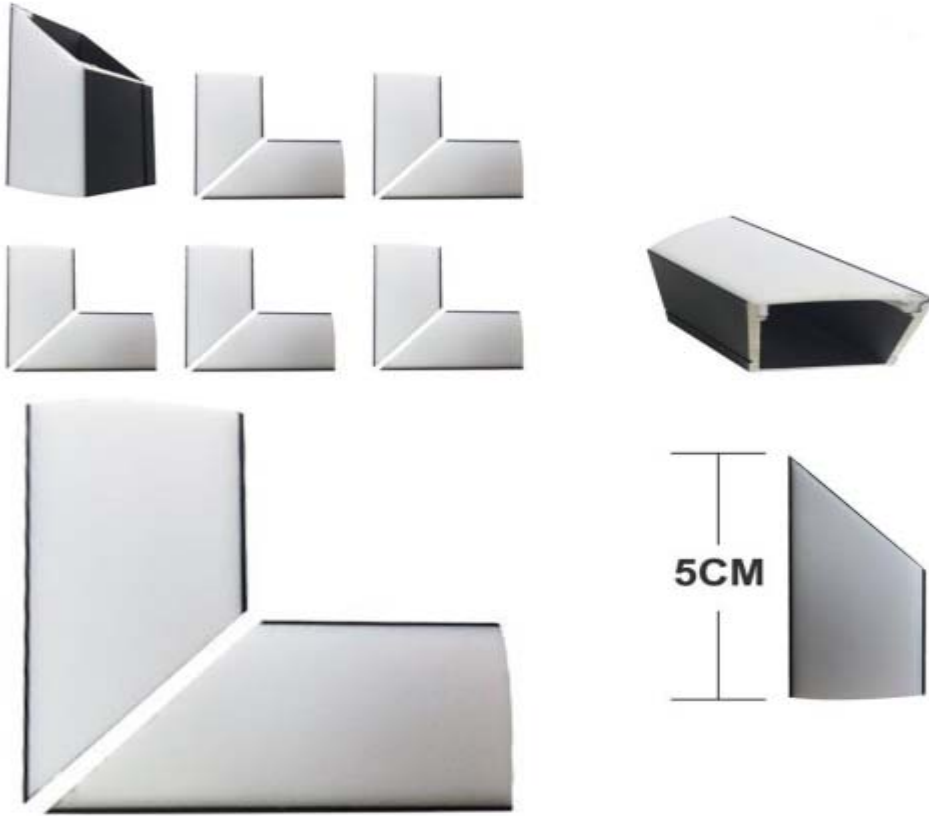


Optional

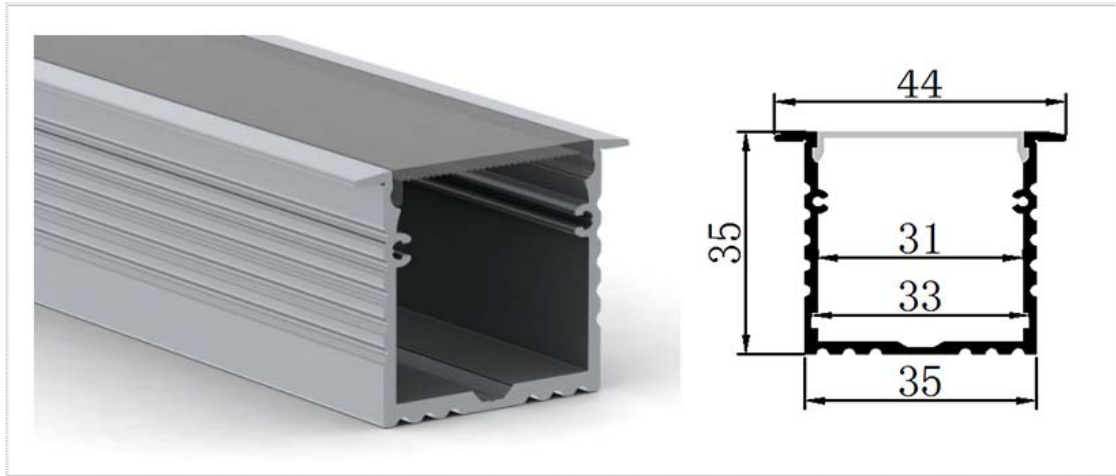



Architectural extrusions for LED strip – dedicated to be mounted into ceilings and drywall. This profile is used to create a decorative or general lighting.

Indoor: interior design, furniture, stair, advertisement, hotels, work stations

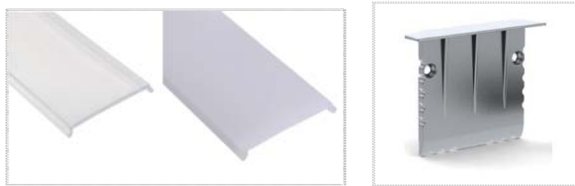


(14) MS-P3535D



MS-P3535D	Length	led strip width	surface finish
	1m (standard) 2m (standard) 3m (standard)	1x LED strip Max 8, 10, 12,16mm	Anodized

Standard

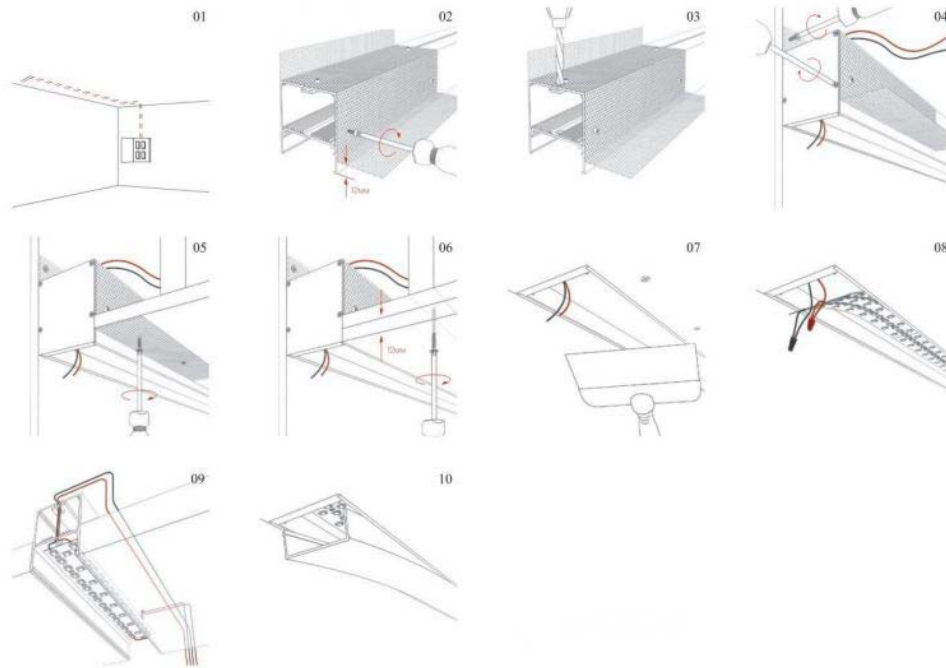


This mortise profile used to create or decorate main lighting.

Architectural extrusions for LED strip – dedicated to be mounted into ceilings and drywall.


Indoor: interior design, furniture, stair, advertisement, hotels, work stations





(15)MS-P4538



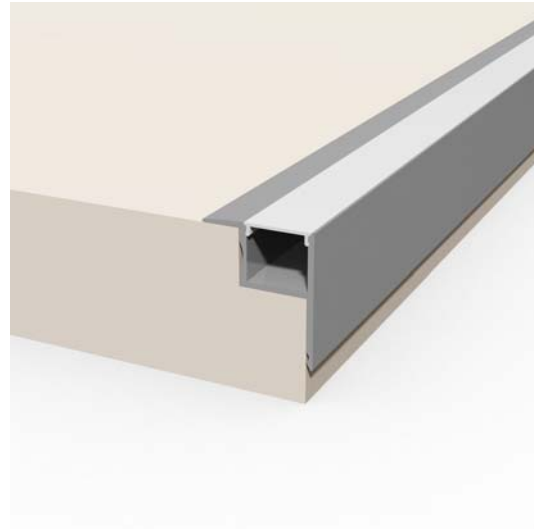
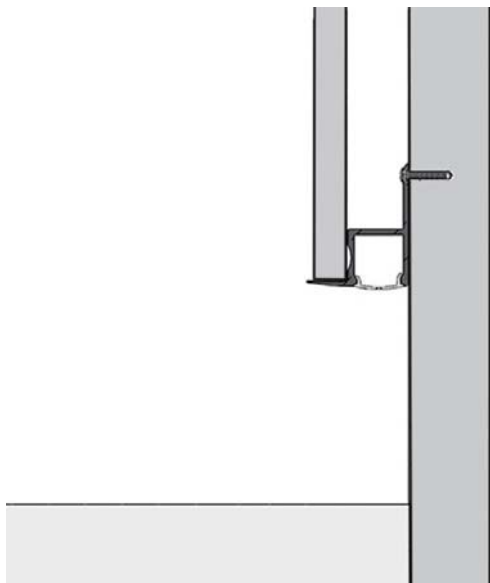
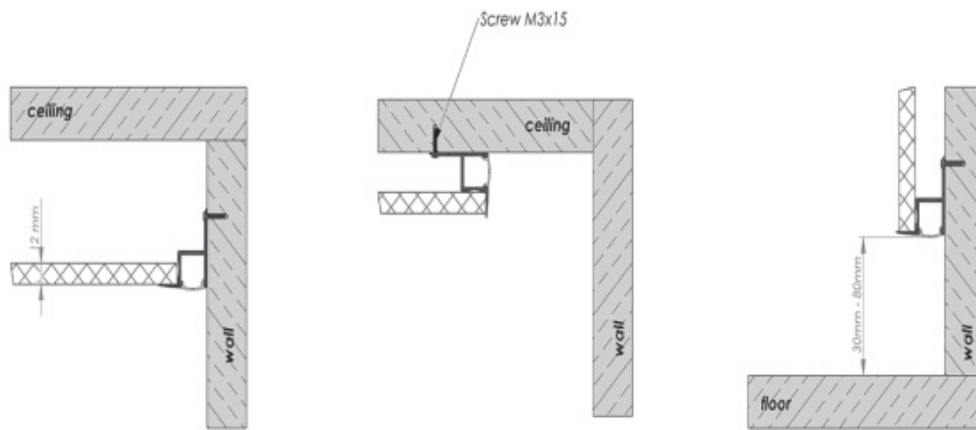
MS-P4538	Length	led strip width	surface finish
	1m (standard)	1x LED strip	Anodized
	2m (standard)	Max 8, 10, 12,16mm	
	3m (standard)		

Standard

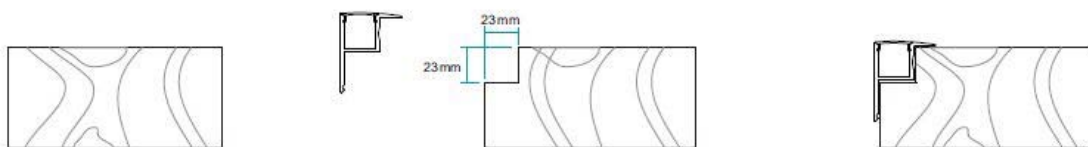


This profile type, mainly used for mounting in corners of rooms and create a beautiful contour lighting or main LED lighting.

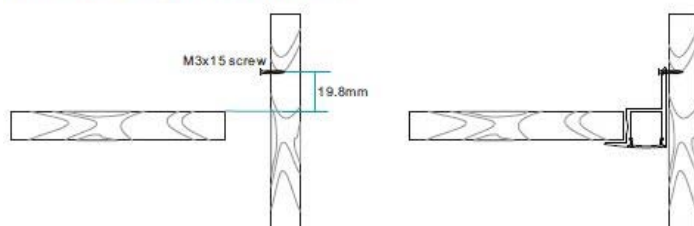




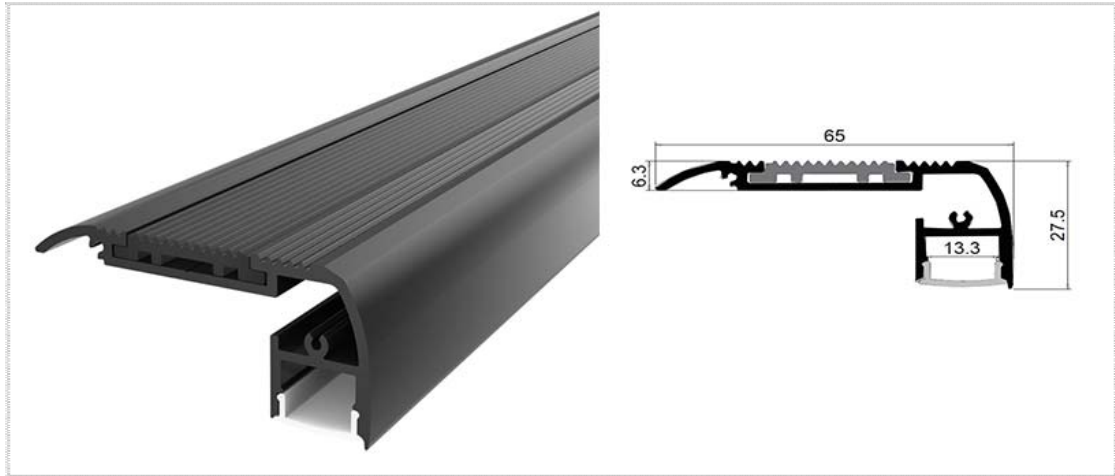
Install on the stair

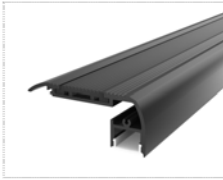


Install on the cabinet



(16)MS-P6528



MS-P6528	Length	led strip width	surface finish
	1m (standard)	1x LED strip	Anodized
	2m (standard)	Max 8, 10, 12,16mm	
	3m (standard)		

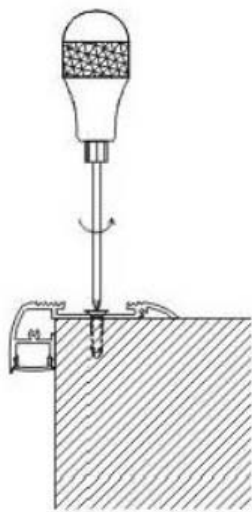
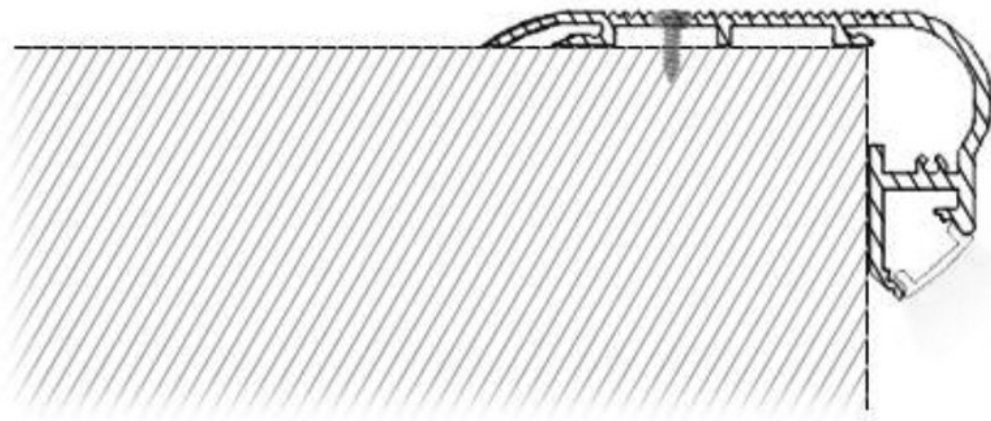
Standard



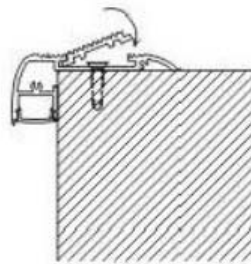
This **Black** anodized LED Stair Track Profile is unique LED strip lighting housing that is specially designed to fit over the edge of stairs creating a tread for stairway lighting.

Whether you require for indoor stair lighting or outdoor stair lighting we have the solution for you. The black aluminum profile includes the non-slip rubber to hide fixings.

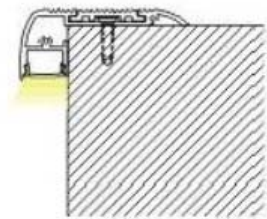
The aluminum extrusion provides substantial heat-management, essential to ensure the performance and longevity of our high quality ED strips.



Step 1



Step 2




Step 3

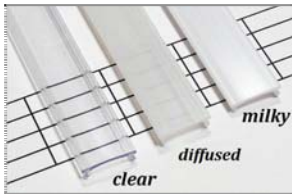


(17) MS-P7026



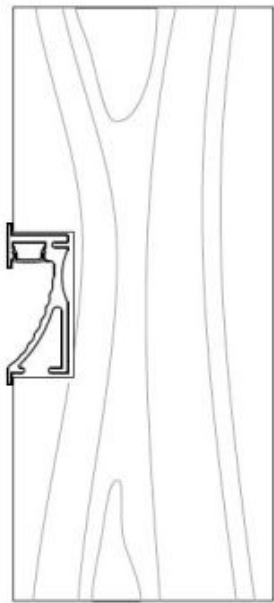
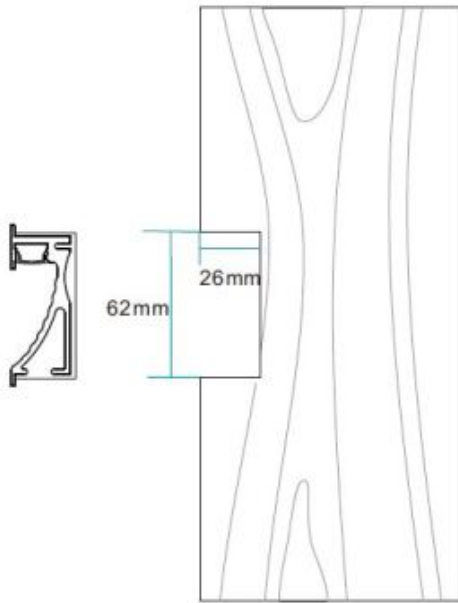
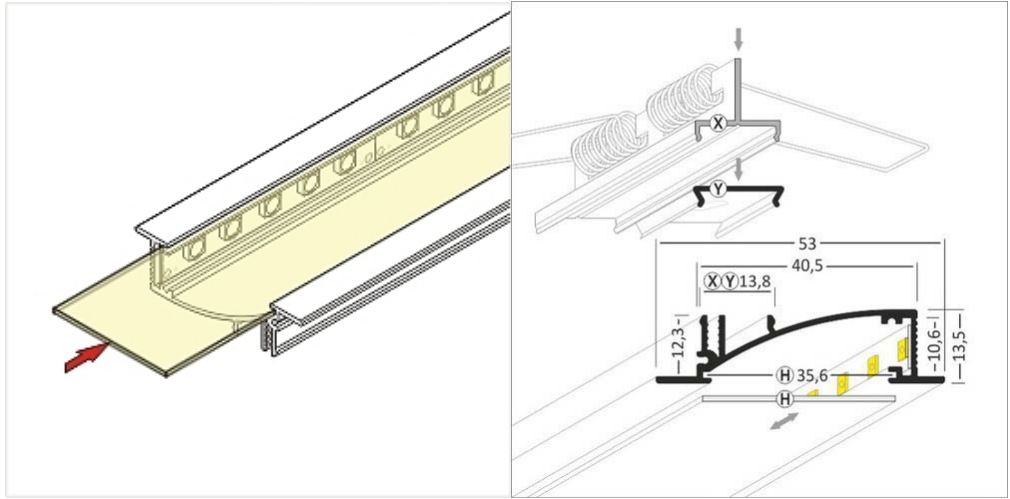
MS-P7026	Length	led strip width	surface finish
	1m (standard)	1x LED strip	Anodized
	2m (standard)	Max 8, 10, 12, 16mm	
	3m (standard)		

Standard

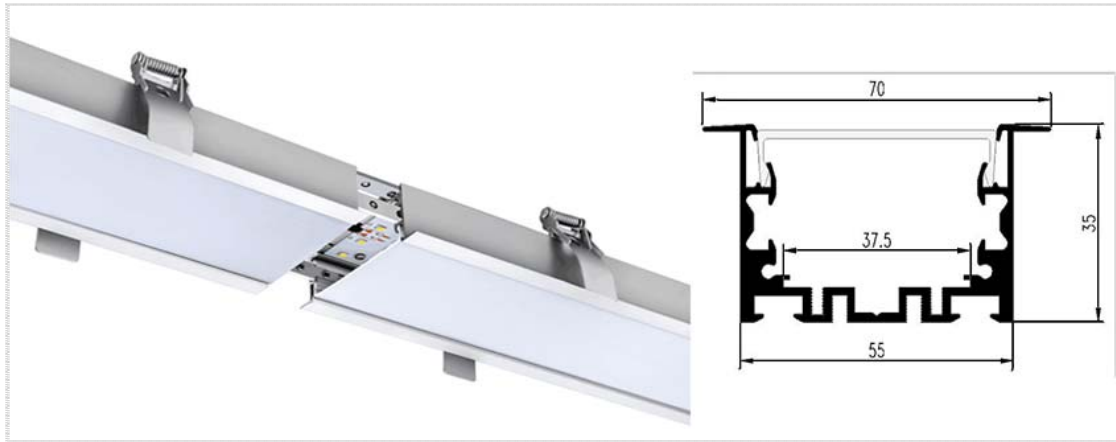



Extrusion for in-wall mounted installations with LED light source, mostly used in interior lighting as custom made down or up light to highlight stairs or passages. It can be used in exterior applications as a wall light.





(18) MS-L7035



MS-L7035	Length	led strip width	surface finish
	1m (standard) 2m (standard) 3m (standard)	1x LED strip Max 8, 10, 12, 16mm	Anodized

Standard

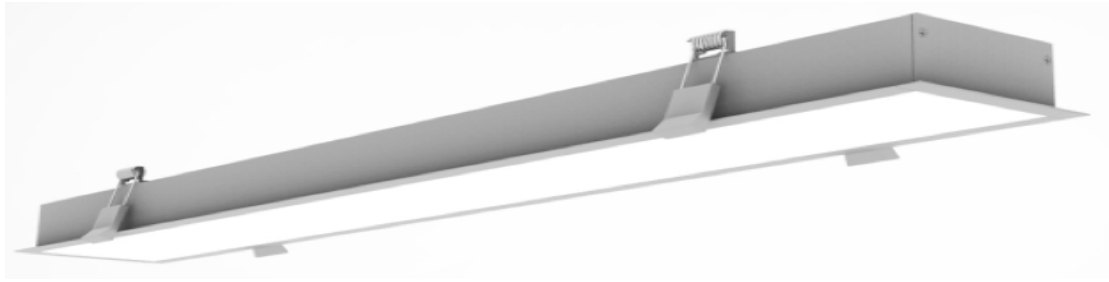


Optional



The L7035 is an Architectural Grade LED extrusion profile designed for linear LED strips up to 37mm wide. Made from high quality Aluminum, these extrusions provide superior thermal management for higher wattage LED strips and prolong the lifespan of your lighting system.

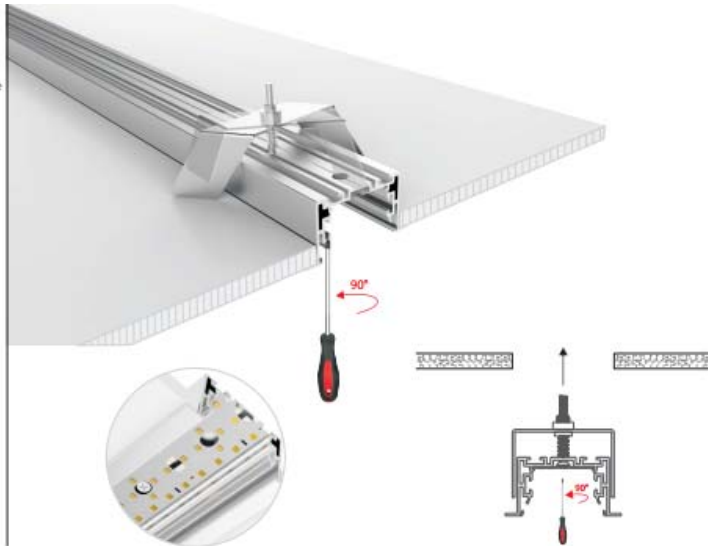
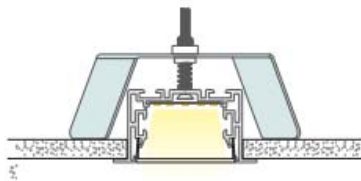
This surface mount profile is manufactured with a patented diffuser for maximum lumen output and wide beam distribution. The L7035 profile helps protect LED's from dust and other undesirable elements, which can shorten the LED's life.



N TYPE CLIP

Step1 : "N" type Clip set to profile body

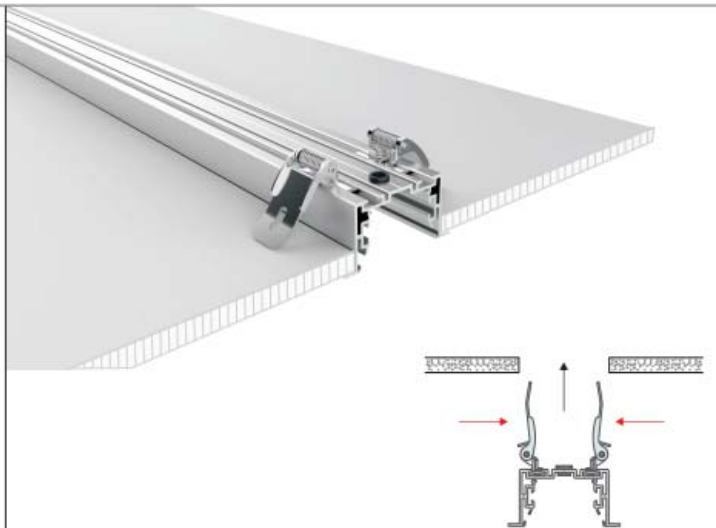
Step2 : 90° rotation pressing button on profile



BUTTERFLY TYPE CLIP

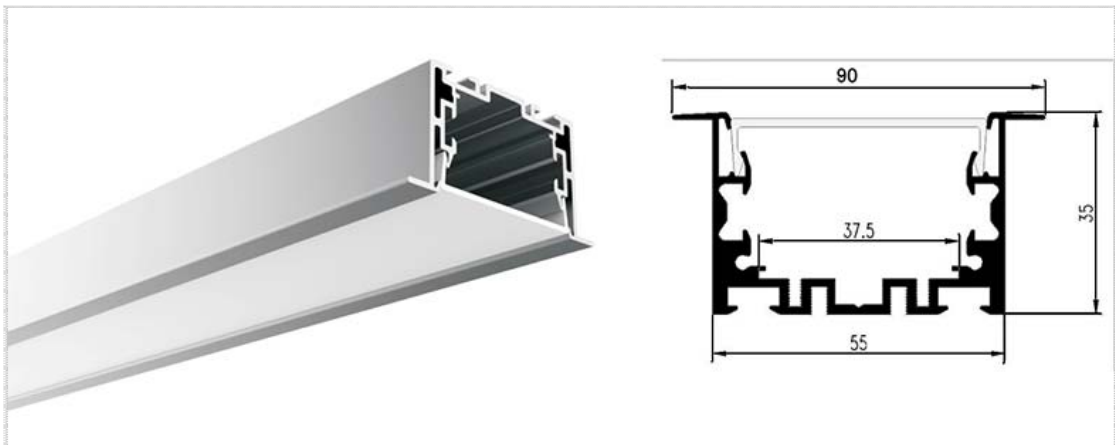
Step1 : "Butterfly" type Clip set to profile body


Step2 : Push the body up, stuck with the wall





(19) MS-L9035



MS-L9035	Length	led strip width	surface finish
	1m (standard)	1x LED strip	Anodized
	2m (standard)	Max 8, 10, 12, 16mm	
	3m (standard)		

Standard



Optional



The L9035 is an Architectural Grade LED extrusion profile designed for linear LED strips up to 37mm wide. Made from high quality Aluminum, these extrusions provide superior thermal management for higher wattage LED strips and prolong the lifespan of your lighting system.

This surface mount profile is manufactured with a patented diffuser for maximum lumen output and wide beam distribution. The L9035 profile helps protect LED's from dust and other undesirable elements, which can shorten the LED's life.

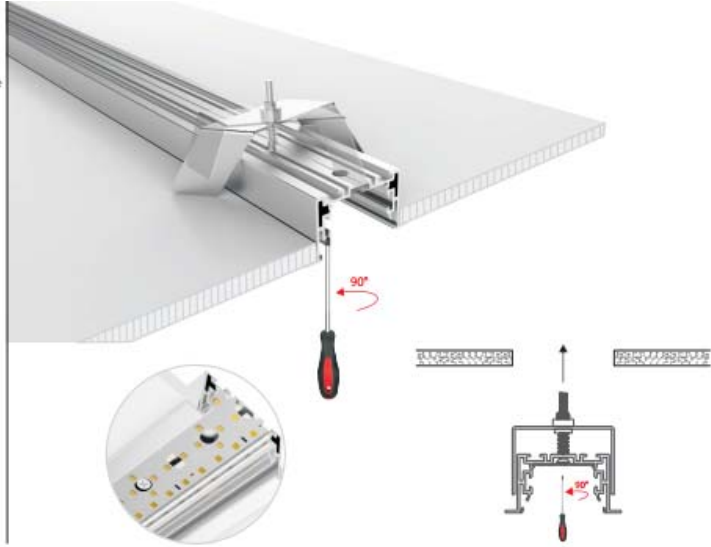
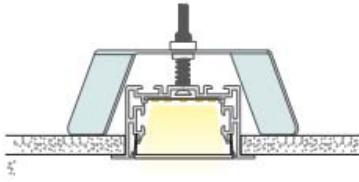




N TYPE CLIP

Step1 : "N" type Clip set to profile body

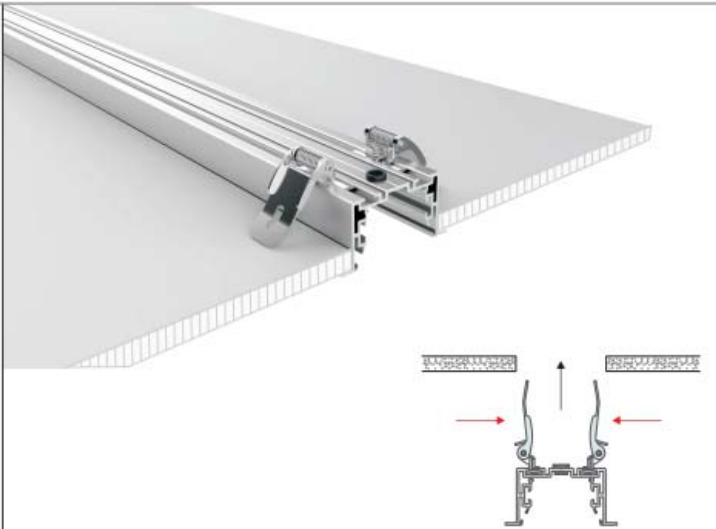
Step2 : 90° rotation pressing button on profile



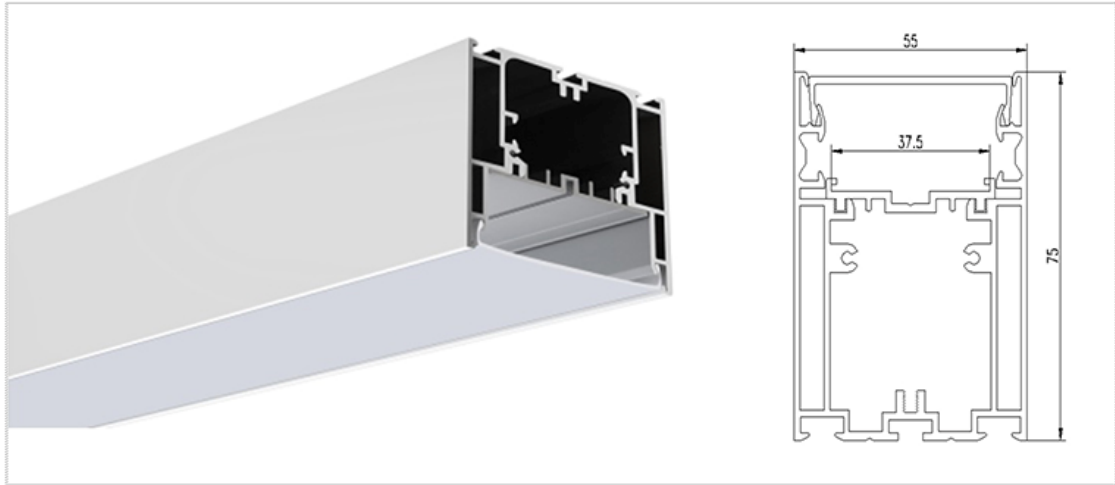
BUTTERFLY TYPE CLIP


Step1 : "Butterfly" type Clip set to profile body

Step2 : Push the body up, stuck with the wall



(20) MS-L7555



MS-L7555	Length	led strip width	surface finish
	1m (standard) 2m (standard) 3m (standard)	1x LED strip Max 8, 10, 12,16mm	Anodized

Standard



Optional

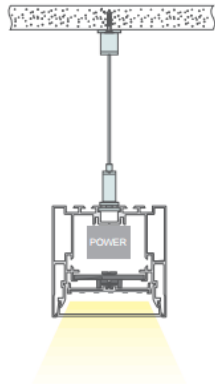


The L7555 is an Architectural Grade LED extrusion profile designed for linear LED strips up to 37mm wide. Made from high quality Aluminum, these extrusions provide superior thermal management for higher wattage LED strips and prolong the lifespan of your lighting system.

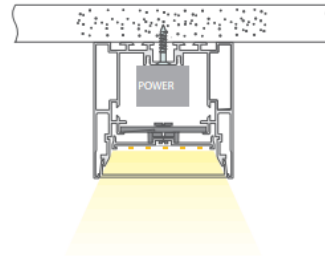
This surface mount profile is manufactured with a patented diffuser for maximum lumen output and wide beam distribution. The L7555 profile helps protect LED's from dust and other undesirable elements, which can shorten the LED's life.

MOUNTING OPTIONS

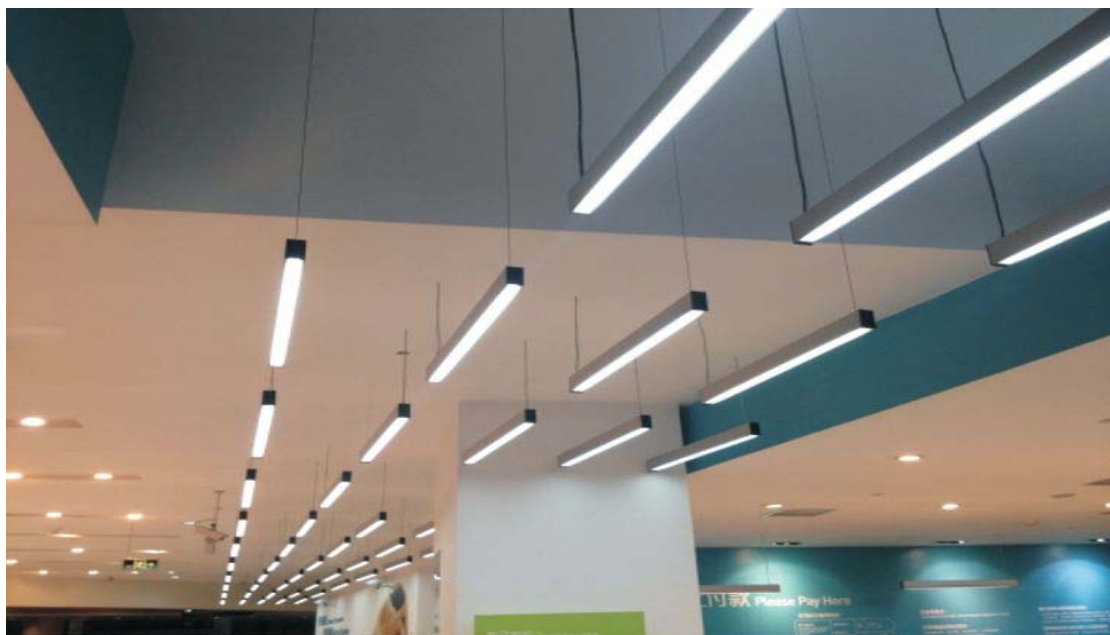
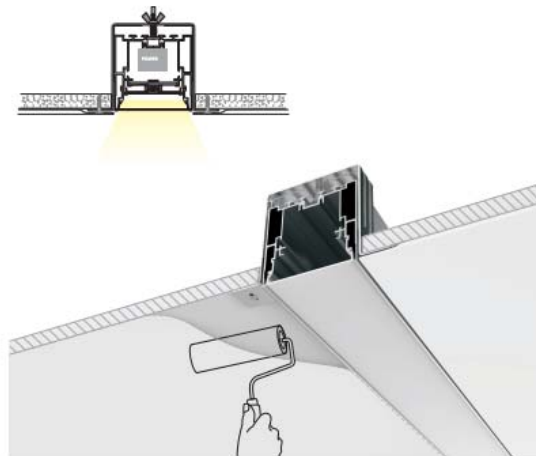
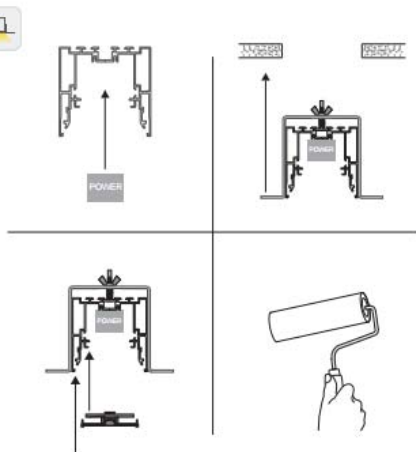
Pendant



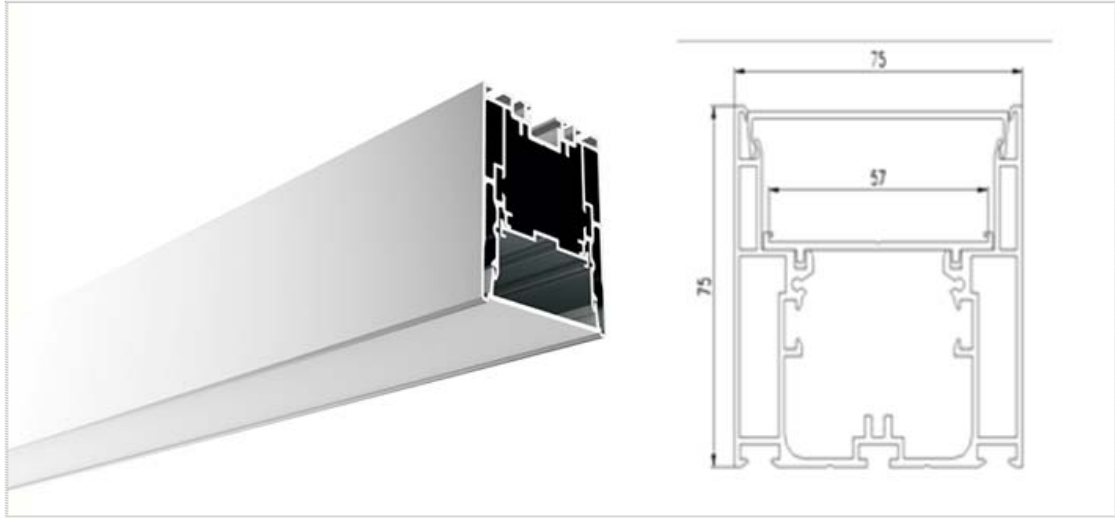
Surface




Recessed



(21) MS-L7575



MS-L7575	Length	led strip width	surface finish
	1m (standard)	1x LED strip	Anodized
	2m (standard)	Max 8, 10, 12,16mm	
	3m (standard)		

Standard



Optional

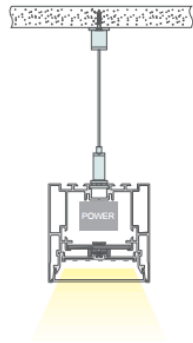


The L7575 is an Architectural Grade LED extrusion profile designed for liner LED strips up to 37mm wide. Made from high quality Aluminum, these extrusions provide superior thermal management for higher wattage LED strips and prolong the lifespan of your lighting system.

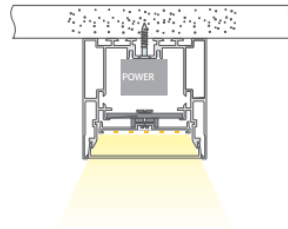
This surface mount profile is manufactured with a patented diffuser for maximum lumen output and wide beam distribution. The L7575 profile helps protect LED's from dust and other undesirable elements, which can shorten the LED's life.

MOUNTING OPTIONS

Pendant



Surface



Recessed

